

1.0 Reference and Address			
Report Number	200103057GZU-001	Original Issued: 24-Sep-2020	Revised: None
Standard(s)	Standard for Safety Household Electric Ranges [UL 858:2014 Ed.16+R:12Sep2019] Household Cooking Ranges [CSA C22.2#61:2016 Ed.9 +U1]		
Applicant	<u>GETROM Home Appliance Co., Ltd.</u>	Manufacturer	GETROM Home Appliance Co., Ltd.
Address	Dongfubei Road 74#, Nantou Town, ZHONGSHAN Guangdong 528427	Address	Dongfubei Road 74#, Nantou Town, ZHONGSHAN Guangdong 528427
Country	China	Country	China
Contact	Cheng Wen	Contact	Cheng Wen
Phone	86-760-87868015	Phone	86-760-87868015
FAX	86-760-23833700	FAX	86-760-23833700
Email	engineer1_getrom@163.com	Email	engineer1_getrom@163.com

2.0 Product Description					
Product	Built-In Electric Cooktop				
Brand name	Getrom Home Appliance Co., Ltd.				
Description	The products covered by this report are Built-In Electric Cooktop, for household and indoor use only, provided with conduit and wires for permanent connected to fixed wiring.				
Models	GK-CD122402, GK-CD122405, GK-CD123002, GK-CD123005, GK-CF246004, GK-CF246005, GK-CF246404, GK-CF246405, GK-CF306704, GK-CF306705, GK-CV307205, GK-CV307209, GK-CV367705, GK-CV367709.				
Model Similarity	Model	Size (mm)	Rating Combination (W)	Ratings (W)	Control type
	GK-CD122402	288*520	1200+1200	120V, 60Hz, 2400W	Electronic
	GK-CD122405			220-240V, 60Hz, 2400W	Mechanical
	GK-CD123002		1800+1200	220-240V, 60Hz, 3000W	Electronic
	GK-CD123005				Mechanical
	GK-CF246004	590*520	1200X2+1800X2	220-240V, 60Hz, 6000W	Electronic
	GK-CF246005				Mechanical
	GK-CF246404		1200X2+2200+1800	220-240V, 60Hz, 6400W	Electronic
	GK-CF246405				Mechanical
	GK-CF306704	770*520	1200X2+2500+1800	220-240V, 60Hz, 6700W	Electronic
	GK-CF306705				Mechanical
	GK-CV307205		1200X2+2500+2200+100	220-240V, 60Hz,7200W	Mechanical
	GK-CV307209				Electronic
	GK-CV367705	900*520	1200X2+3000+2200+100	220-240V, 60Hz,7700W	Mechanical
GK-CV367709	Electronic				
Ratings	See Model Similarity.				
Other Ratings	NA				

3.0 Product Photographs

Photo 1 - Overall view of model GK-CD122402



Photo 2 - Overall view of model GK-CD122405



4

3.0 Product Photographs

Photo 3 - Overall view of model GK-CD123002



Photo 4 - Overall view of model GK-CD123005



3.0 Product Photographs

Photo 5 - Overall view of model GK-CF246004



Photo 6 - Overall view of model GK-CF246005



3.0 Product Photographs

Photo 7 - Overall view of model GK-CF246404

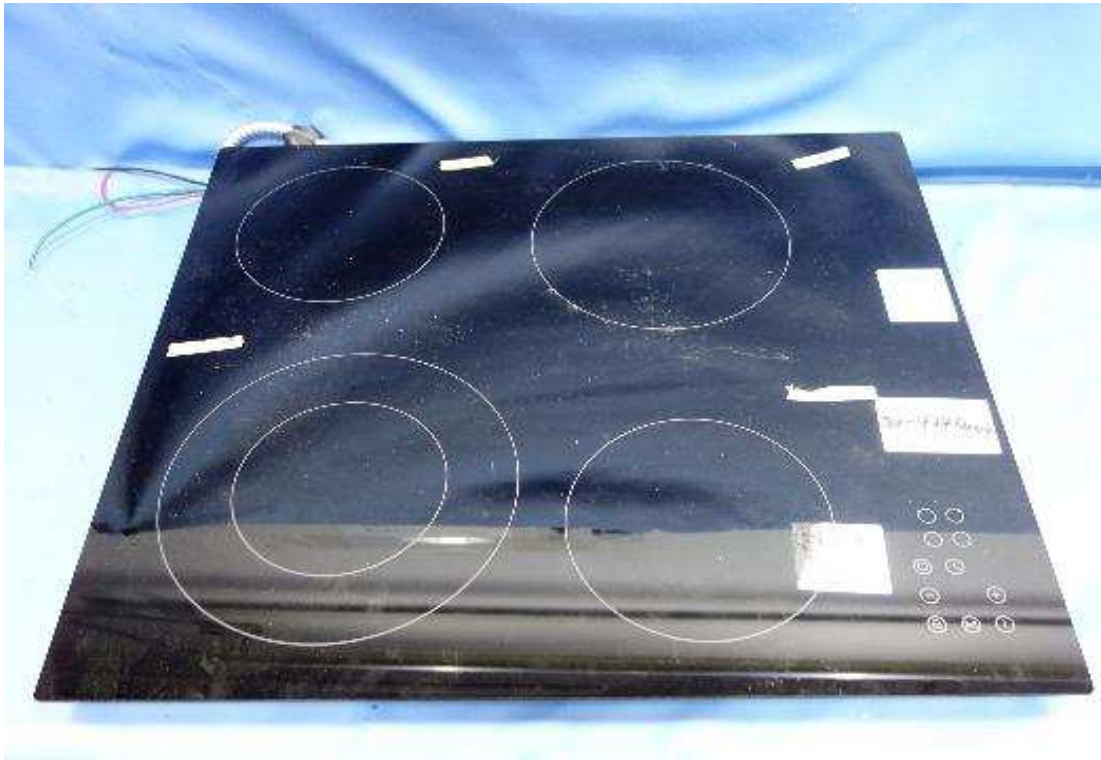


Photo 8 - Overall view of model GK-CF246405

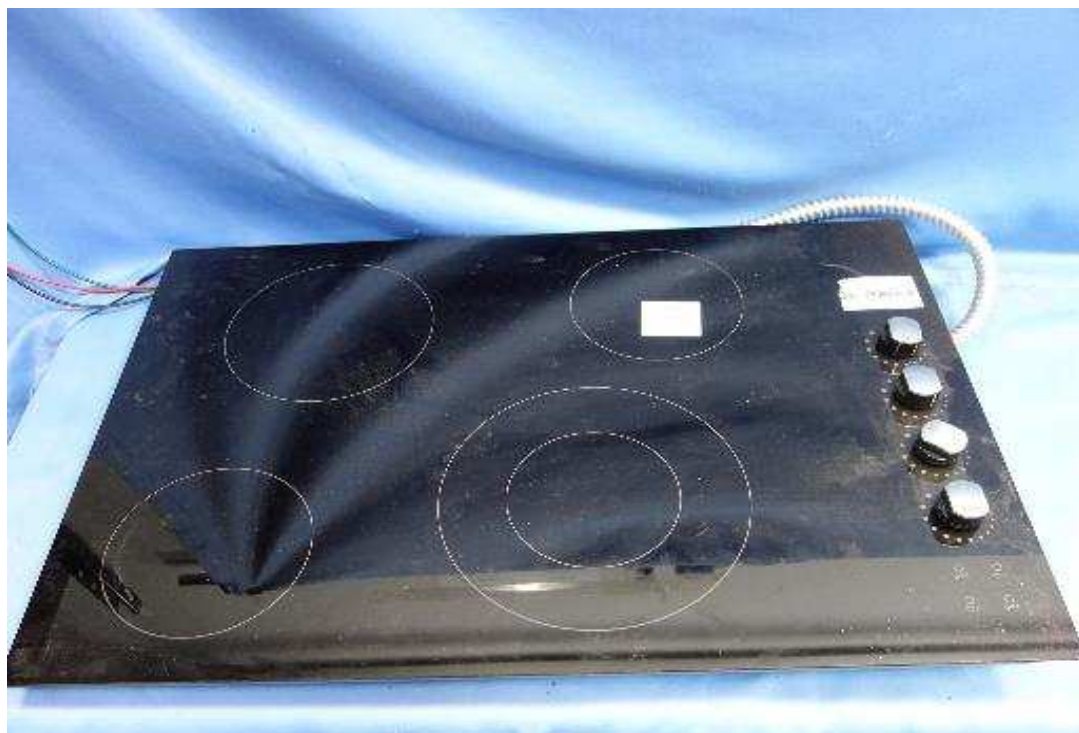


3.0 Product Photographs

Photo 9 - Overall view of model GK-CF306704



Photo 10 - Overall view of model GK-CF306705



3.0 Product Photographs

Photo 11 - Overall view of model GK-CV307205



Photo 12 - Overall view of model GK-CV307209



3.0 Product Photographs

Photo 13 - Overall view of model GK-CV367705



Photo 14 - Overall view of model GK-CV367709



3.0 Product Photographs

Photo 15 - Bottom view of model GK-CD123002 (similar to model GK-CD122402)



Photo 16 - Internal view of model GK-CD123002 (similar to model GK-CD122402)



3.0 Product Photographs

Photo 17 - Internal view of model GK-CD123002 (similar to model GK-CD122402)

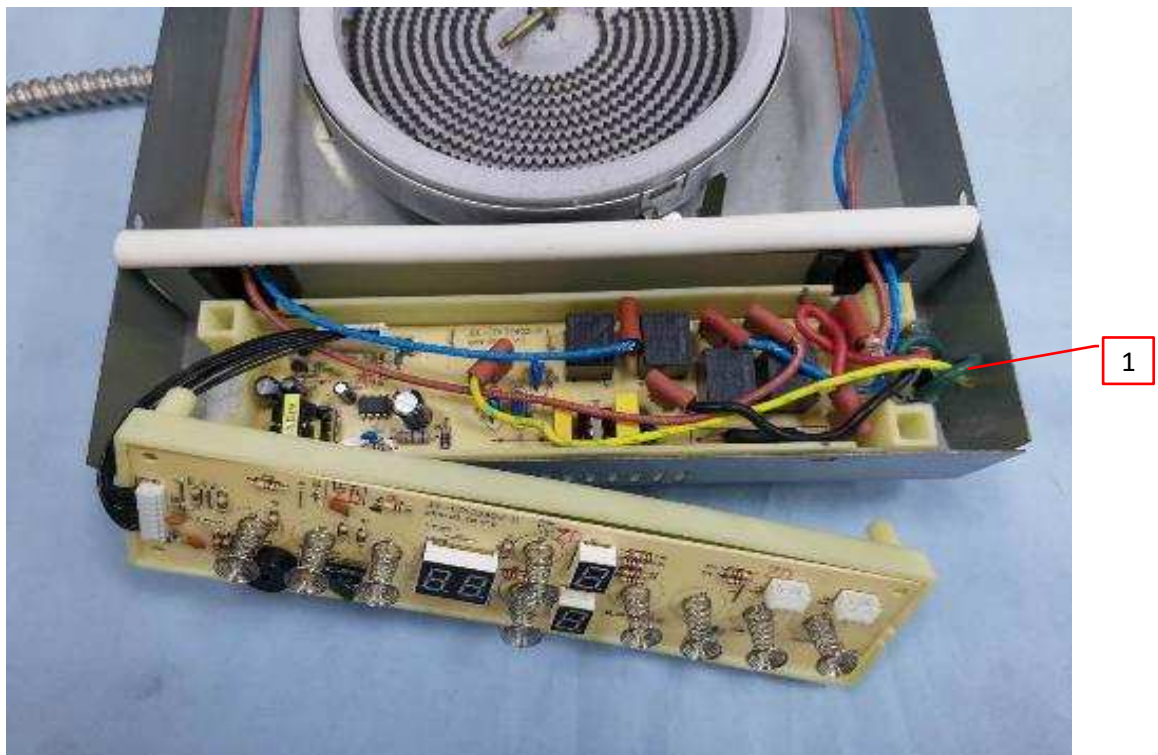
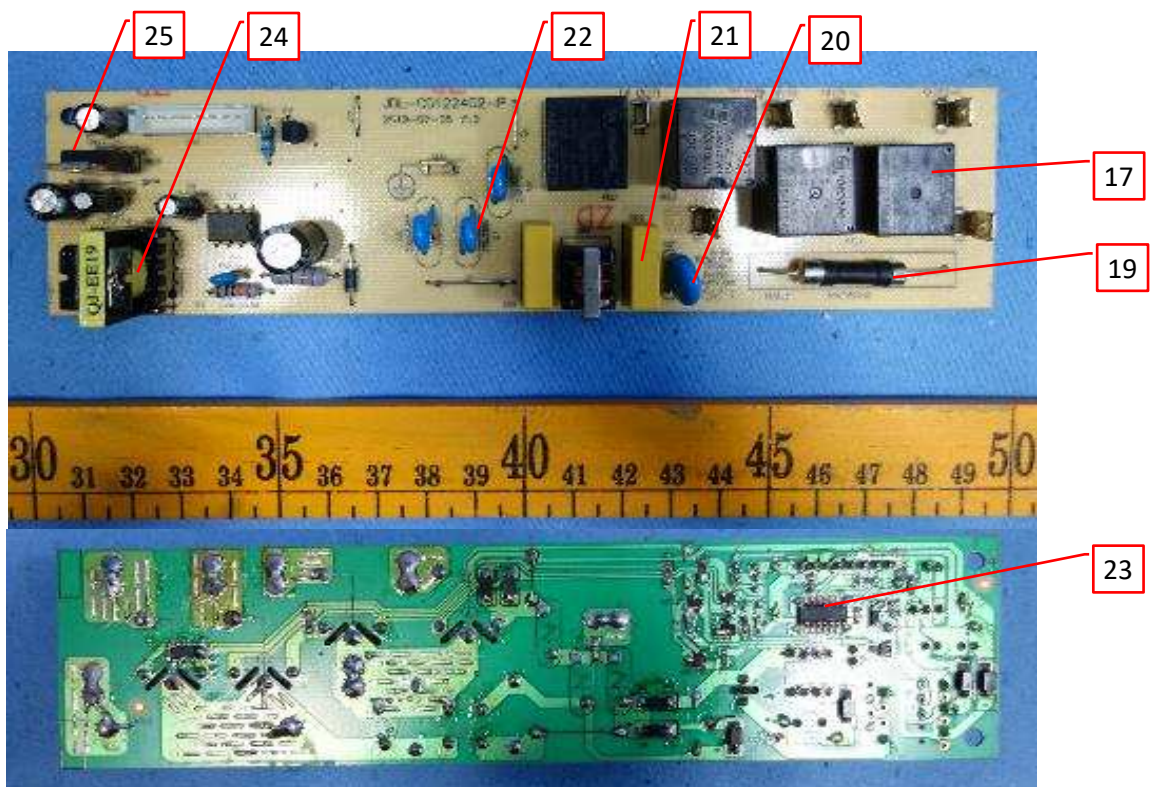


Photo 18 - Main PCB view of model GK-CD123002 (similar to model GK-CD122402)



3.0 Product Photographs

Photo 19 - Control PCB view of model GK-CD123002 (similar to model GK-CD122402)

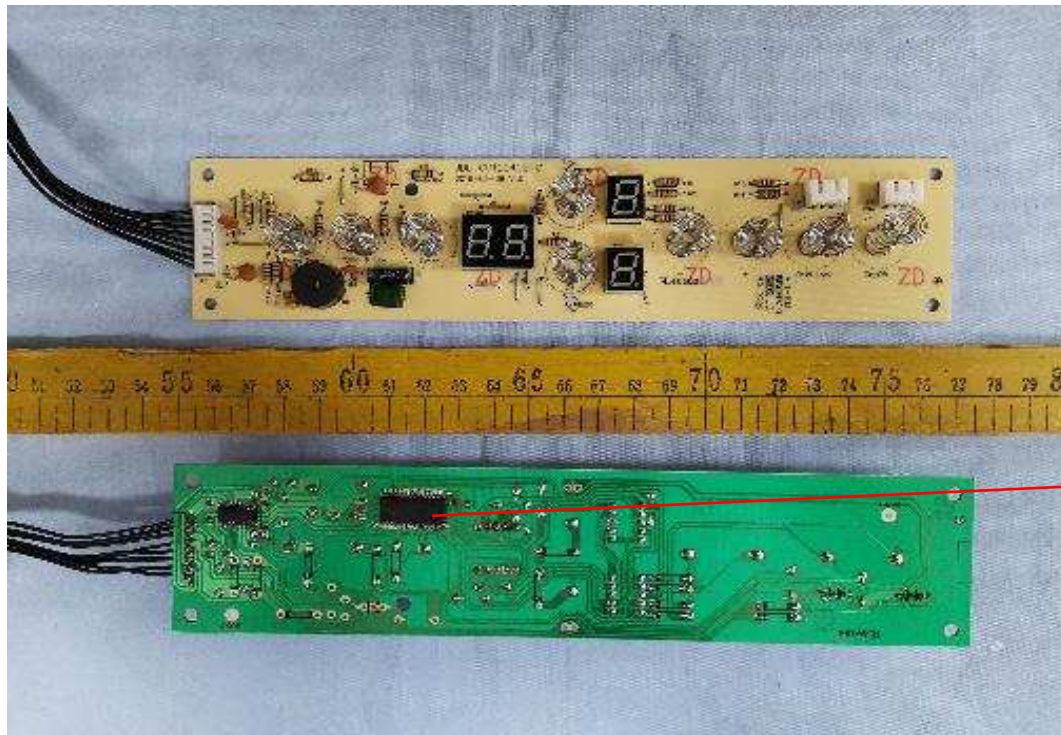


Photo 20 - Bottom view of model GK-CD122405 (similar to model GK-CD123005)

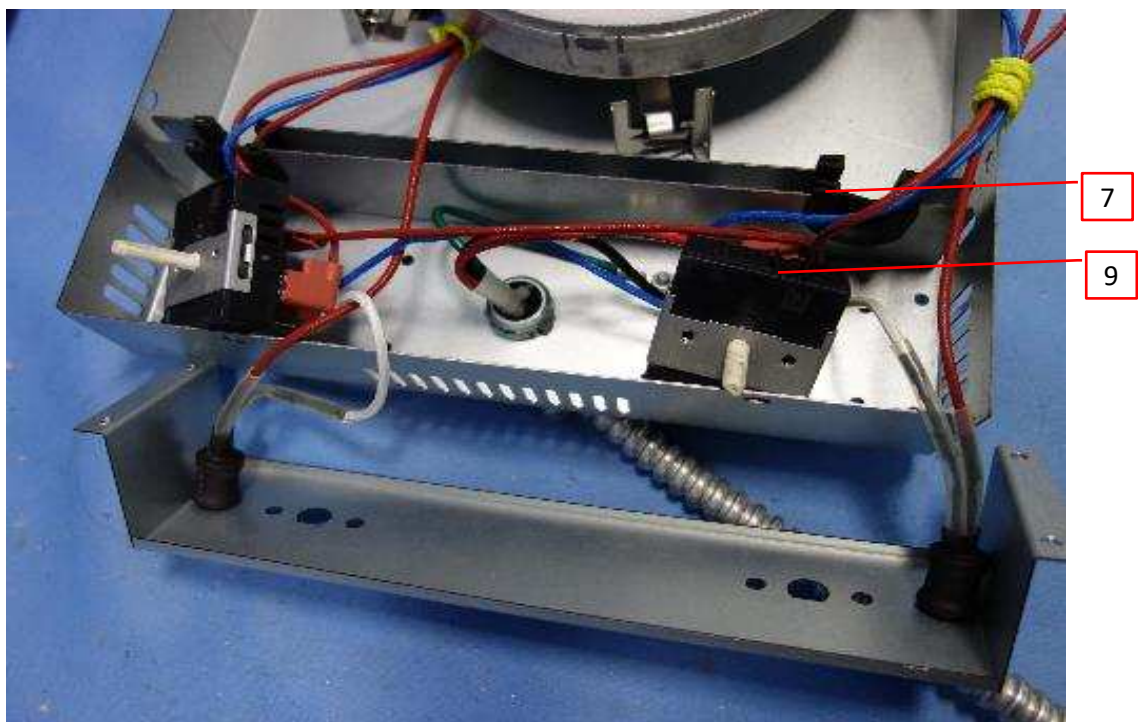


3.0 Product Photographs

Photo 21 - Internal view of model GK-CD122405 (similar to model GK-CD123005)



Photo 22 - Internal view of model GK-CD122405 (similar to model GK-CD123005)



3.0 Product Photographs

Photo 23 - Internal view of model GK-CF246004 (similar to model GK-CF246404,GK-CF306704)

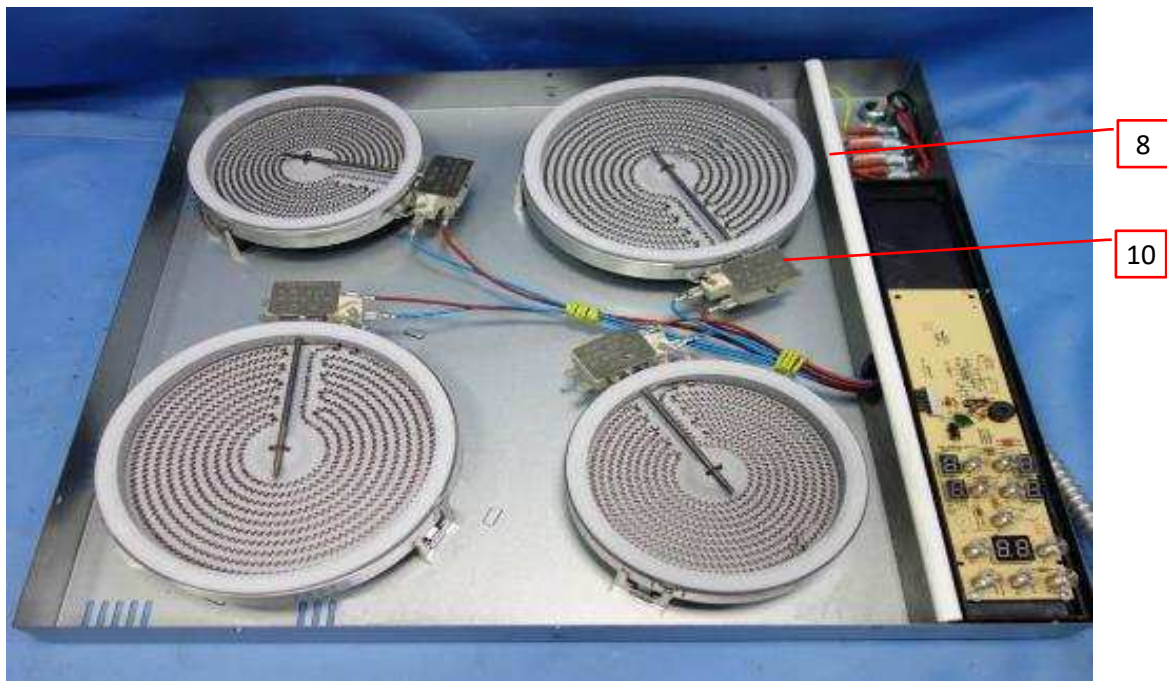
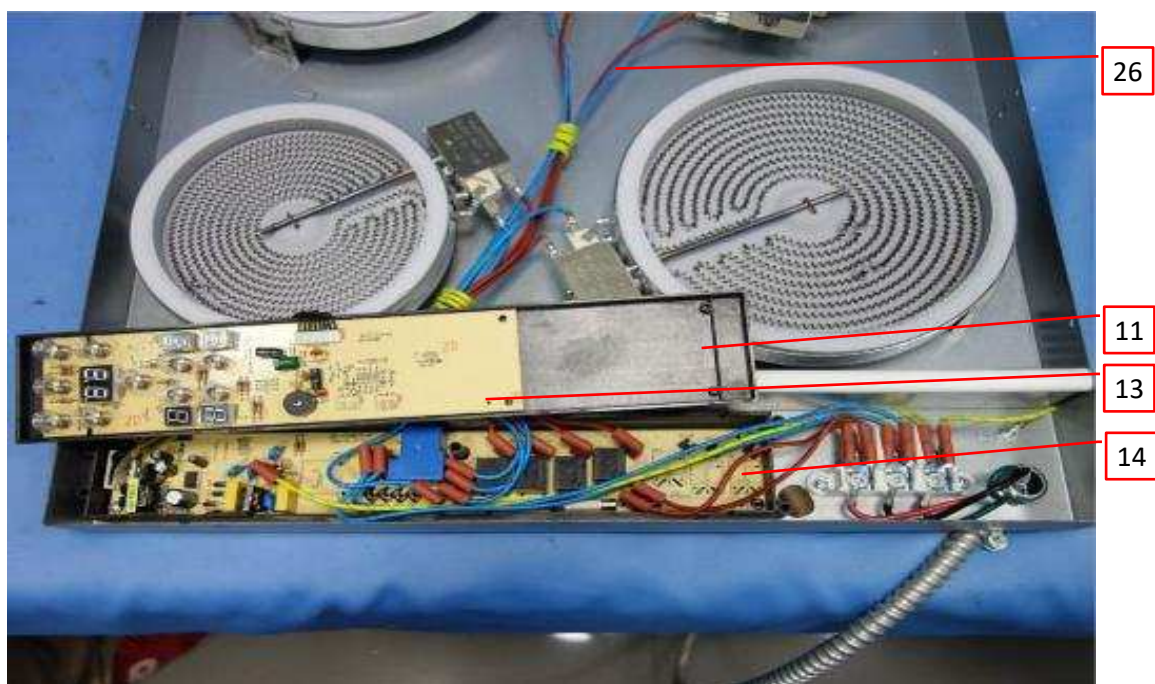


Photo 24 - Internal view of model GK-CF246004 (similar to model GK-CF246404,GK-CF306704)



3.0 Product Photographs

Photo 25 - Main PCB view of model GK-CF246004

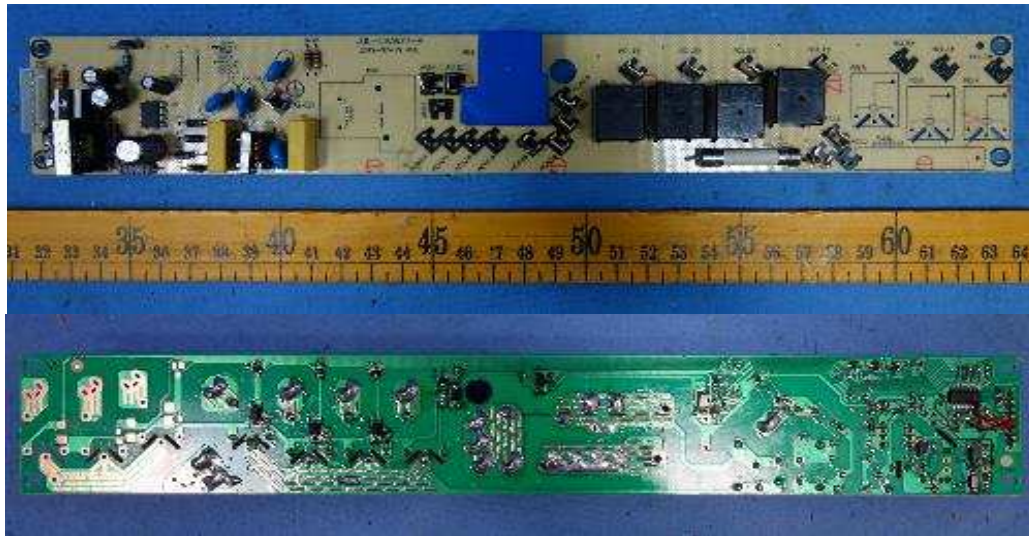


Photo 26 - Main PCB view of models GK-CF246404, GK-CF306704

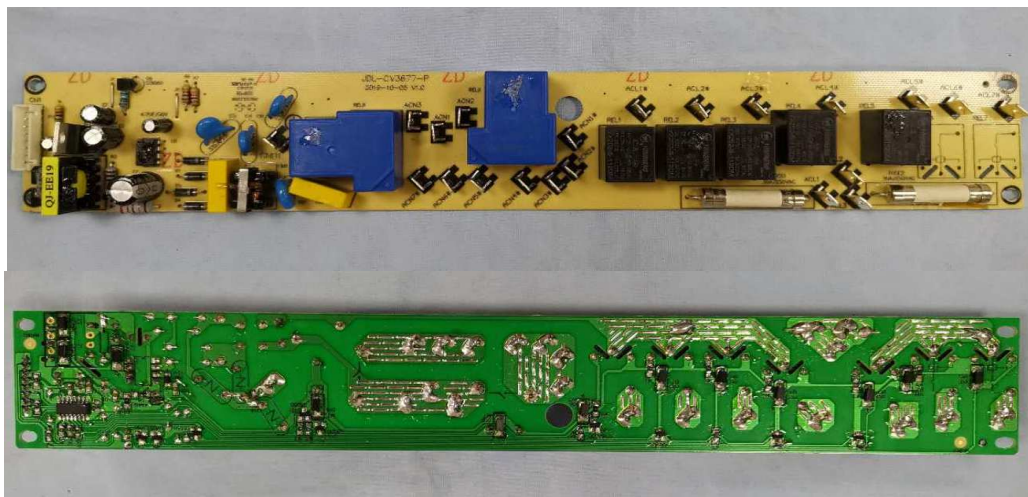
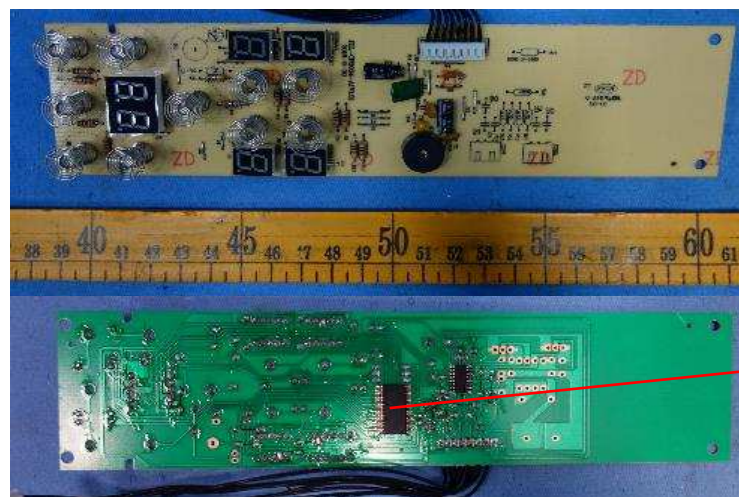


Photo 27 - Control PCB view of model GK-CF246004(similar to models GK-CF246404,GK-CF306704)



23

3.0 Product Photographs

Photo 28 - Internal view of model GK-CF246005(similar to models GK-CF246405,GK-CF306705)



Photo 29 - Internal view of model GK-CV307209(similar to model GK-CV367709)



16

3.0 Product Photographs

Photo 30 - Internal view of model GK-CV307209 (similar to model GK-CV367709)

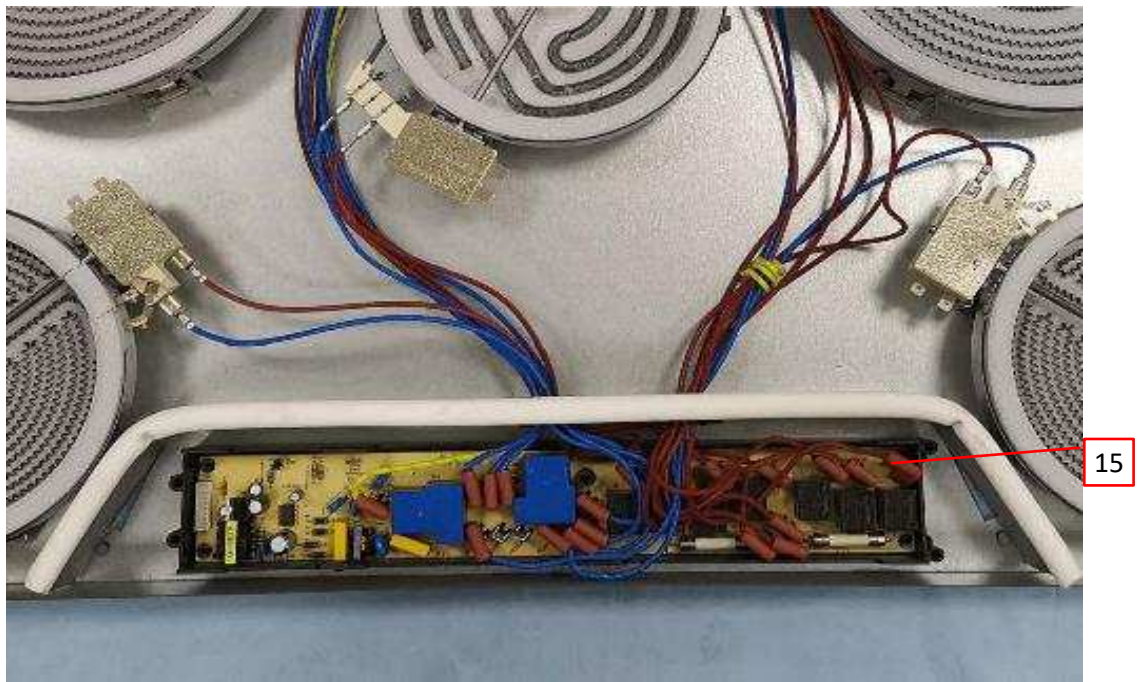
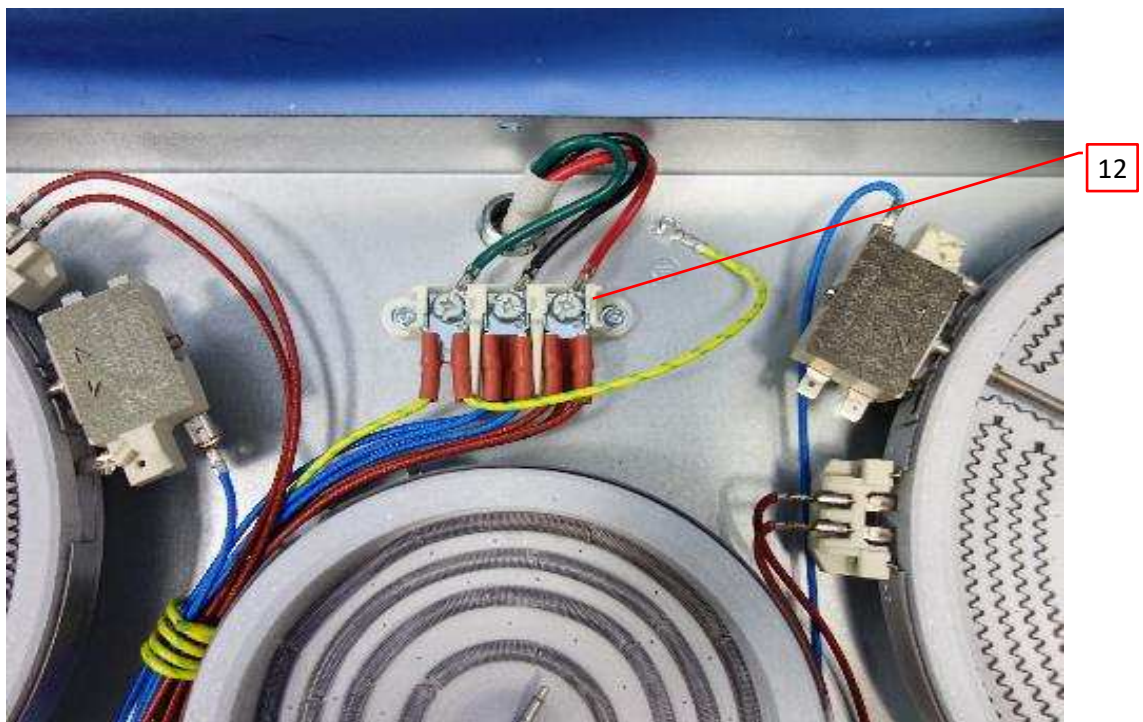


Photo 31 - Internal view of model GK-CV307209 (similar to model GK-CV367709)



3.0 Product Photographs

Photo 32 - Main PCB view of model GK-CV307209(similar to model GK-CV367709)

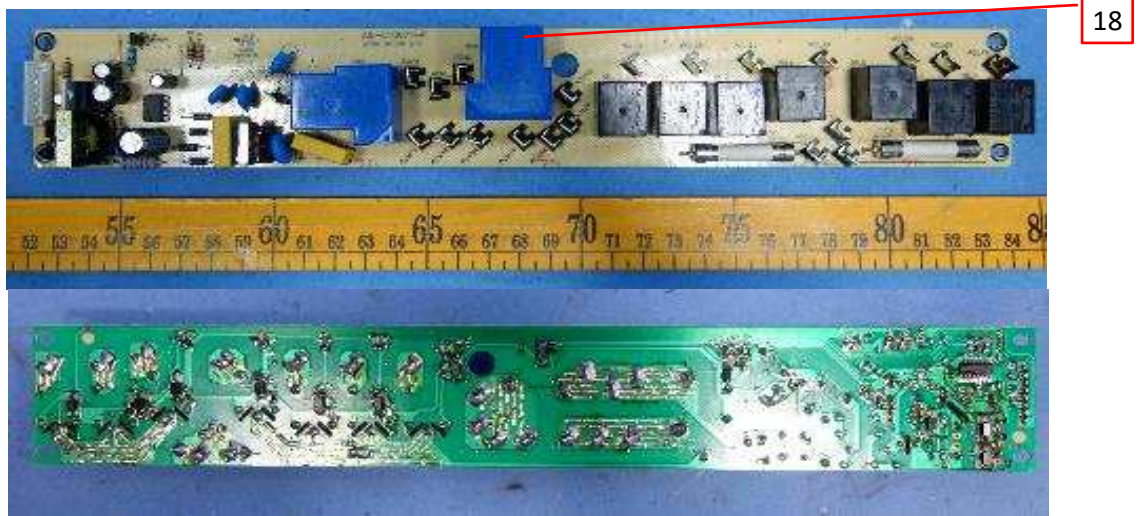
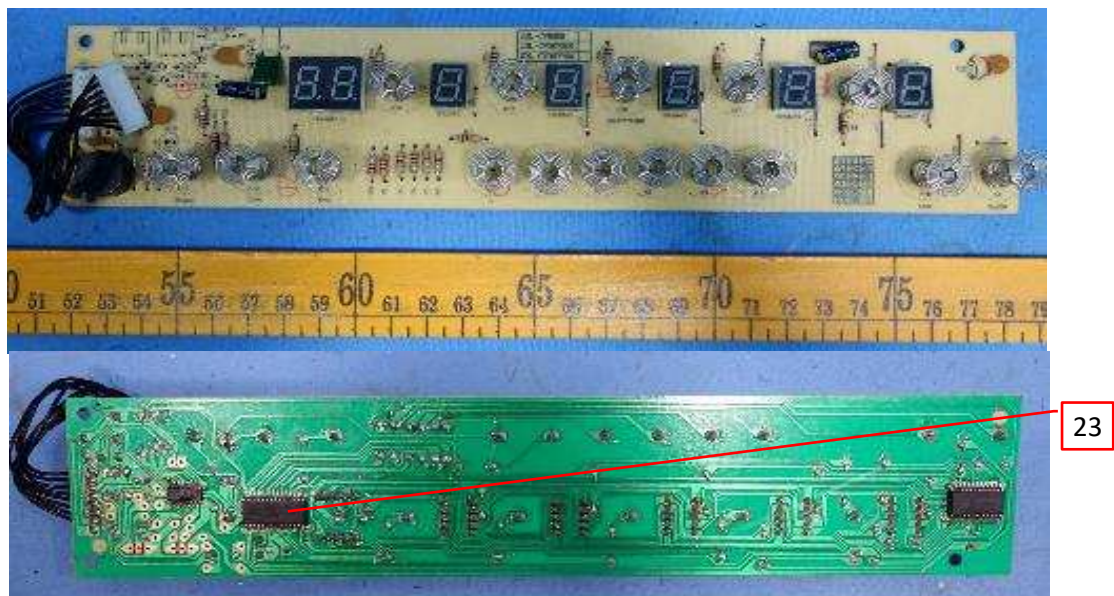


Photo 33 - Control PCB view of model GK-CV307209(similar to model GK-CV367709)



3.0 Product Photographs

Photo 34 - Internal view of model GK-CV307205(similar to model GK-CV367705)



Photo 35 - View of Heater Element



4.0 Critical Components						
Photo #	Item no. ¹	Name	Manufacturer/ trademark ²	Type / model ²	Technical data and securement means	Mark(s) of conformity ³
17	1	Supply leads	Various	1015	For models GK-CD122402, GK-CD122405, GK-CD123002, GK-CD123005. Rated 600V, 105°C, VW-1, size #14 AWG × 3C. Fixed on bottom enclosure by a cord clamp. Covered with a factory-attached flexible conduit 3 – 6 ft (0.91 – 1.80 m) long.	cURus
			Various	1015	For models GK-CF246004, GK-CF246005, GK-CF246404, GK-CF246405, GK-CF306704, GK-CF306705. Rated 600V, 105°C, VW-1, size #12 AWG × 3C. Fixed on bottom enclosure by a cord clamp. Covered with a factory-attached flexible conduit 3 – 6 ft (0.91 – 1.80 m) long.	cURus
			Various	3321	For models GK-CV307205, GK-CV307209, GK-CV367705, GK-CV367709. Rated 600V, 150°C, VW-1, size # 10AWG × 3C. Fixed on bottom enclosure by a cord clamp. Covered with a factory-attached flexible conduit 3 – 6 ft (0.91 – 1.80 m) long.	cURus
21	2	Glass ceramics	WenZhou Kanger Crystallite ut ensils cl.,Ltd	Various	Measured thickness 4.0±0.2mm, fixed on the metal bracket by adhesive.	NR
			SuZhou SCHOTT Co., Ltd.	Various	Measured thickness 4.0±0.2mm, fixed on the metal bracket by adhesive.	NR
			GuangZhou EuroKera Co., Ltd.	Various	Measured thickness 4.0±0.2mm, fixed on the metal bracket by adhesive.	NR
21	3	Glue (not shown)	GUANGZHOU BAIYUN CHEMICAL INDUSTRY CO LTD	SMG533	RTV material. Rated HB, 125°C. For sticking the glass ceramics on the metal bar tightly.	cURus
2	4	Knob	CHANG CHUN PLASTICS CO LTD	3015	PBT material. Rated HB, HWI=4, HAI=0, 120°C. Measured min. 1.6mm thick.	cURus
21	5	Bottom Cover	Various	Various	Galvanized steel sheet. Fixed on the top cover by screws.	NR

4.0 Critical Components						
Photo #	Item no. ¹	Name	Manufacturer/ trademark ²	Type / model ²	Technical data and securement means	Mark(s) of conformity ³
20	6	Flexible conduit	KAIPHONE TECHNOLOGY CO LTD	3/8	For models GK-CD122402, GK-CD122405, GK-CD123002, GK-CD123005. Liquid-tight flexible steel conduits. Inner diameter: 3/8 inch, Outer diameter: 4.5/8 inch. Min. thickness 0.5mm. Reduced-wall flexible steel conduit, length within 0.91-1.80 m, secured on the back cover by recognized conduit connector.	cURus
				5/8	For all models other than GK-CD122402, GK-CD122405, GK-CD123002, GK-CD123005. Liquid-tight flexible steel conduits. Inner diameter: 5/8 inch, Outer diameter: 7/8 inch. Min. thickness 0.5mm. Reduced-wall flexible steel conduit, length within 0.91-1.80 m, secured on the back cover by recognized conduit connector.	cURus
22	7	Well-rounded rubbery	DONGGUAN NANJU POLYMER MATERIAL CO LTD	NJ-352H-30	SIR material. Rated V-0, 150°C. Protect internal wire from injured by sharp edge.	cURus
23	8	Thermal insulation rubbery	DONGGUAN NANJU POLYMER MATERIAL CO LTD	NJ-352H-30	SIR material. Rated V-0, 150°C. For thermal insulation.	cURus
22	9	Energy regulator	E G O ELEKTRO-GERAETEBAU GMBH	50.8	(For all models with mechanical control). Rated 240v, 13A, 60Hz, ambient temperature 125°C. Endurance 6K cycles manual action 100K cycles automatic action. Provided with a mechanism that necessitates two manual operations to close the contact. All poles are disconnected when the regulator is switched to the "off" position. For the use of both ON/OFF switch and temperature control of heating elements.	cURus
23	10	Temperature limiting thermostat	E G O ELEKTRO-GERAETEBAU GMBH	60.25	Rated 300Vac, 13A or 130V, 15A, Tf: 540 °C, 100,000 cycles. Provided with sensing element and mounting bracket.	cURus
24	11	PCB bracket	Covestro Deutschland AG [PC Resins]	6555 + (z)(f2)	PC material. Rated V-2, 125°C, HWI=2, HAI=2, CTI=3. Measured min. 2.0mm.	cURus
31	12	Terminal block	ELECTRO TERMINAL GMBH & CO KG	SFK	Rated 300V, 40A, 120°C, for 8-14 AWG Cu wire. Secured to the base cover by a screws.	cURus

4.0 Critical Components						
Photo #	Item no. ¹	Name	Manufacturer/ trademark ²	Type / model ²	Technical data and securement means	Mark(s) of conformity ³
24	13	Control PCB board	Various	Various	Rated 130°C, V-0, measured min. 1.2mm, comply with UL 796.	UR
24	14	Main PCB board	Various	Various	Rated 130°C, V-0, measured min. 1.6mm, comply with UL 796.	UR
30	15	Tube of quick connector	DONGJUE SILICONE (NANJING) CO LTD	NE-Z150	SIR material. Rated V-0, 150°C.	cURus
29	16	Quick connector	XIN SHENG TERMINAL MFG LTD	7121D	Rated 300Vac 15A.	cURus
18	17	Relay 1	DONGGUAN FANGXIONG ELECTRICAL APPLIANCES CO LTD	FX206-1A-12D	Rated 250V, 10A, coil voltage rated 12Vdc. 105°C, 100000 cycles endurance.	cURus
			SANYOU CORPORATION LIMITED	SRD-S-112DM	Rated 250V, 10A, coil voltage rated 12Vdc. 105°C, 100000 cycles endurance.	cURus
			Zhejiang Meishuo Electric Technology Co., Ltd.	MPA-S-112-A	Rated 250V, 10A, coil voltage rated 12Vdc. 105°C, 100000 cycles endurance.	cURus
			DONGGUANYONGNENGELECTRONICSCOLT	YX202-S-112DM	Rated 240V, 10A, coil voltage rated 12Vdc. 105°C, 100000 cycles endurance.	cURus
32	18	Relay 2	DONGGUAN FANGXIONG ELECTRICAL APPLIANCES CO.,LTD.	FX217-1A-12DJ	Rated 240V, 30A, coil voltage rated 12Vdc. 105°C, 100000 cycles endurance.	cURus
			DONGGUAN FANGXIONG ELECTRICAL APPLIANCES CO.,LTD.	FX217-1A-12D	Rated 240V, 30A, coil voltage rated 12Vdc. 105°C, 100000 cycles endurance.	cURus
			Sanyou Corporation Limited	SLA-S-112DM	Rated 240V, 30A, coil voltage rated 12Vdc. 105°C, 100000 cycles endurance.	cURus
			Zhejiang Meishuo Electric Technology Co., Ltd.	MPQ1-S-112D-A	Rated 240V, 30A, coil voltage rated 12Vdc. 105°C, 100000 cycles endurance.	cURus

4.0 Critical Components						
Photo #	Item no. ¹	Name	Manufacturer/ trademark ²	Type / model ²	Technical data and securement means	Mark(s) of conformity ³
18	19	Current fuse	SUN ELECTRIC CO	6H	For all models except GK-CD122402 240V. Rated 250V, 30A.	cURus
			SUN ELECTRIC CO	5F-series	Only for model GK-CD122402 240V. Rated 250V, 20A.	cURus
			XC ELECTRONICS (SHENZHEN) CORP LTD	6H	For all models except GK-CD122402 240V. Rated 250V, 30A.	cURus
			XC ELECTRONICS (SHENZHEN) CORP LTD	5H	Only for model GK-CD122402 240V. Rated 250V, 20A.	cURus
18	20	Varistor	Various	Various	Rated 470V max, 85°C.	cURus
18	21	X capacitor	Foshan Shunde Chuang Ge Electronic Industrial Co., Ltd.	MKP-X2	Rated 275Vac, 0.22uF, 105°C.	cURus
			GUANGDONG FENGMING ELECTRONIC TECH. CO., LTD.	MKP-X2	Rated 275Vac, 0.22uF, 105°C.	cURus
18	22	Y capacitor	Various	Various	Rated 300Vac, 3300pF, Y2 capacitor, 125°C or T85°C.	cURus
18, 19, 27, 33	23	MCU	Zhongying Electronic Ltd.	SH79F1622	Checksum: GK-CD122402, GK-CD123002: DBDC. GK-CF246004: F6CF. GK-CF246404: 6BF3. GK-CF306704: 7BEE GK-CV307209, GK-CV307709: 3AA9.	NR
18	24	Transformer	QIAOJING ELECTRONIC CO.,LTD	QJ-EE19	Input:220-240V, Output:12V/5V. Class B insulation system. It consists with the following items 24a~24f. Refer to Illustration 5 for drawing details.	NR
18	24a	Bobbin (not shown)	CHANG CHUN PLASTICS CO LTD	T375J	PMC material. Rated V-0, 150°C, HWI=0, HAI=0, CTI=3. Measured min. 2.0mm.	cURus
18	24b	Winding (not shown)	ZHEJIANG HONGBO TECHNOLOGY CO LTD	UEW/155	Rated min. class 155.	UR
			Various	Various		

4.0 Critical Components						
Photo #	Item no. ¹	Name	Manufacturer/ trademark ²	Type / model ²	Technical data and securement means	Mark(s) of conformity ³
18	24c	Triple insulation wire (not shown)	SHANGHAI LUCKY TRADE CO LTD	TIW-B	Reinforced insulation wire. Rated class 130. N3: pin9-pin7, $\Phi 0.35\text{mm} \times 26\text{T}$ s.	cURus
			Various	Various		
18	24d	Insulation tape (not shown)	JINGJIANG YAHUA PRESSURE SENSITIVE GLUE CO LTD	CT-280B	Rated 130°C.	cURus
			Various	Various		
18	24e	Insulation tube (not shown)	DONGGUAN CITY CHANGJIE METALS & PLASTIC PRODUCTS CO LTD	CJ-TT-L	PTFE tube. Rated 150V, 200°C.	cURus
			Various	Various		
18	24f	Varnish (not shown)	DONGGUAN CHUNSHING CHEMICALS CO LTD	WE-386	Rated 155°C.	cURus
			Various	Various		
18	25	Triac	Various	ITA16N65A	(T1). Rated 650V, 16A, $T_j=150^\circ\text{C}$.	NR
24	26	Internal wire	Various	3122	Rated 300V, 200°C. Minimum 16AWG for connection of heater element, main PCB board, terminla block and Energy regulator.	cURus
			Various	1332	Rated 300V, 200°C. Minimum 24AWG for connection of main PCB board and control PCB board.	cURus

4.0 Critical Components						
Photo #	Item no. ¹	Name	Manufacturer/ trademark ²	Type / model ²	Technical data and securement means	Mark(s) of conformity ³
35	27	Surface heating element assemblies	E G O ELEKTRO-GERAETEBAU GMBH	10.54111	Rated 120V, 60Hz, 1200W. Diameter of Base: 140mm. Consists of Heating Elements, Support Pads, Assembly Base, Base Insulation, Temperature Limiting Thermostat, Quick-Connect Terminals, Element Connections, Element Jumper.	cURus
				10.54111	Rated 240V, 60Hz, 1200W. Diameter of Base: 140mm. Consists of Heating Elements, Support Pads, Assembly Base, Base Insulation, Temperature Limiting Thermostat, Quick-Connect Terminals, Element Connections, Element Jumper.	cURus
				10.74601	Rated 240V, 60Hz, 100W. Consists of Heating Elements, Support Pads, Assembly Base, Base Insulation, Temperature Limiting Thermostat, Quick-Connect Terminals, Element Connections, Element Jumper.	cURus
				10.58111	Rated 240V, 60Hz, 1800W. Diameter of Base: 180mm. Consists of Heating Elements, Support Pads, Assembly Base, Base Insulation, Temperature Limiting Thermostat, Quick-Connect Terminals, Element Connections, Element Jumper.	cURus
				10.51211	Rated 240V, 60Hz, 2200W. Consists of Heating Elements, Support Pads, Assembly Base, Base Insulation, Temperature Limiting Thermostat, Quick-Connect Terminals, Element Connections, Element Jumper.	cURus
				10.53211	Rated 240V, 60Hz, 2500W. Diameter of Base: 230mm. Consists of Heating Elements, Support Pads, Assembly Base, Base Insulation, Temperature Limiting Thermostat, Quick-Connect Terminals, Element Connections, Element Jumper.	cURus
				10.53211	Rated 240V, 60Hz, 3000W. Diameter of Base: 230mm. Consists of Heating Elements, Support Pads, Assembly Base, Base Insulation, Temperature Limiting Thermostat, Quick-Connect Terminals, Element Connections, Element Jumper.	cURus

4.0 Critical Components						
Photo #	Item no. ¹	Name	Manufacturer/ trademark ²	Type / model ²	Technical data and securement means	Mark(s) of conformity ³
20	28	Marking Label (not shown)	Various	Various	Suitable for steel material, rated at least 80°C.	cURus
Note: 1) Not all item numbers are indicated (called out) in the photos, as their location is obvious. 2) "Various" means any type, from any manufacturer that complies with the "Technical data and securement means" and meets the "Mark(s) of conformity" can be used. 3) Indicates specific marks to be verified, which assures the agreed level of surveillance for the component. "NR" - indicates Unlisted and only visual examination is necessary. "See 5.0" indicates Unlisted components or assemblies to be evaluated periodically refer to section 5.0 for details.						

5.0 Critical Unlisted CEC Components

No Unlisted CEC components are used in this report.

6.0 Critical Features

Recognized Component - A component part, which has been previously evaluated by an accredited certification body with restrictions and must be evaluated as part of the basic product considering the restrictions as specified by the Conditions of Acceptability.

Listed Component - A component part, which has been previously Listed or Certified by an accredited Certification Organization with no restrictions and is used in the intended application within its ratings.

Unlisted Component - A part that has not been previously evaluated to the appropriate designated component standard. It may also be a Listed or Recognized component that is being used outside of its evaluated Listing or component recognition.

Critical Features/Components - An essential part, material, subassembly, system, software, or accessory of a product that has a direct bearing on the product's conformance to applicable requirements of the product standard.

Construction Details - For specific construction details, reference should be made to the photographs and descriptions. All dimensions are approximate unless specified as exact or within a tolerance. In addition to the specific construction details described in this Report, the following general requirements also apply.

1. Spacing - In primary circuits, 6.4mm minimum spacings are maintained through air and over surfaces of insulating material between current-carrying parts of opposite polarity and 6.4mm minimum between such current-carrying parts and dead-metal parts or low voltage isolated circuits.
2. Mechanical Assembly - Components such as switches, fuseholders, connectors, wiring terminals and display lamps are mounted and prevented from shifting or rotating by the use of lockwashers, starwashers, or other mounting format that prevents turning of the component.
3. Corrosion Protection - All ferrous metal parts are protected against corrosion by painting, plating or the equivalent.
4. Accessibility of Live Parts - All uninsulated live parts in primary circuitry are housed within a metallic enclosure (jacketed by wood and polymeric back cover) constructed with no openings other than those specifically described in Sections 4 and 5.
5. Grounding - All exposed dead-metal parts and all dead-metal parts within the enclosure that are exposed are connected to the grounding lead of the power supply cord .
6. Internal Wiring - Internal wiring is routed away from sharp or moving parts. Internal wiring leads terminating in soldered connections are made mechanically secure prior to soldering. Recognized Component separable (quick disconnect) connectors of the positive detent type, closed loop connectors, or other types specifically described in the text of this report are also acceptable as internal wiring terminals. At points where internal wiring passes through metal walls or partitions, the wiring insulation is protected against abrasion or damage by plastic bushings or grommets.
7. Schematics - Refer to Illustration 3, 3a to 3f for schematics requiring verification during Field Representative Inspection Audits.
8. Markings - The product is marked on a labeling system as described in item no. 28 of Section 4.0 as follows: applicant's name or brand name, model number, date of manufacturer, electrical ratings.
Refer to Illustration 1 for layouts.
9. Cautionary Markings - Minimum letter height shall be 3/32 inch (2.4 mm) as measured by characters.
Refer to Illustration 1 for layouts.
10. Installation, Operating and Safety Instructions - Instructions for installation and use of this product are provided by the manufacturer as required by the standard.
The height of lettering in the text and illustrations of the safety instructions shall be as follows:
 - a) Upper case letters shall not be less than 5/64 inch (2.0 mm) high;
 - b) Lower case letters shall not be less than 1/16 inch (1.6 mm) high; and
 - c) The phrases IMPORTANT SAFEGUARDS and SAVE THESE INSTRUCTIONS shall be in letters not less than 3/16 inch (4.8 mm) high.Refer to Illustration 2, 2a to 2m for layouts.

7.0 Illustrations

Illustration 1 - Marking and Cautionary Marking



Cautionary Marking

Note:

1. Date code: "YYMM", where "YY" for the Year and "MM" for the Month of production.
3. "CAUTION: DO NOT IMMERSE IN WATER", "HOUSEHOLD USE ONLY", "NE PAS IMMERGER" and "USAGE DOMESTIQUE SEULEMENT shall not be less than 2.4mm in height.
2. Refer to Section 2.0 for more models, ratings.

7.0 Illustrations

Illustration 2 - Instruction Manual

Congratulations on the purchase of your new hob and thank you for choosing us!

Please read all the safety instructions carefully before use and keep this Manual for future reference.

Part 1. Safety Warnings

Safety Warnings

Your safety is important to us. Please read below information carefully before installing or using your Hob.

Installation

Electrical Shock Hazard

- Disconnect the appliance from the mains electricity supply before carrying out any work or maintenance on it.
- Connection to a good earth wiring system is essential and mandatory.
- Alterations to the domestic wiring system must only be made by a qualified electrician.
- Failure to follow this advice may result in electrical shock or death.

7.0 Illustrations

Illustration 2a - Instruction Manual

Cut Hazard

- Take care - panel edges are sharp.
- Failure to use caution could result in injury or cuts.

Important safety instructions

- Read these instructions carefully before installing or using this appliance.
- No combustible material or products should be placed on this appliance at any time.
- Please make this information available to the person responsible for installing the hob as it could reduce your installation costs.
- In order to avoid a hazard, this appliance must be installed according to these instructions for installation.
- The appliance is to be properly installed and earthed only by a suitably qualified person.
- The appliance should be connected to a circuit which incorporates an isolating switch providing full disconnection from the power supply.
- Failure to install the appliance correctly could invalidate any warranty or liability claims.

7.0 Illustrations

Illustration 2b - Instruction Manual

Operation and maintenance

Electrical Shock Hazard

- Do not cook on a broken or cracked hob. If the hob surface should break or crack, switch the appliance off immediately at the mains power supply (wall switch) and contact a qualified technician.
- Switch the hob off at the wall before cleaning or maintenance.
- Failure to follow this advice may result in electrical shock or death.

Health Hazard

- This appliance complies with electromagnetic safety standards.
- However, persons with cardiac pacemakers or other electrical implants (such as insulin pumps) must consult with their doctor or implant manufacturer before using this appliance to make sure that their implants will not be affected by the electromagnetic field.
- Failure to follow this advice may result in death.

7.0 Illustrations

Illustration 2c - Instruction Manual

Hot Surface Hazard

- During use, accessible parts of this appliance will become hot enough to cause burns.
- Do not let your body, clothing or any item other than suitable cookware contact the ceramic glass until the surface is cool.
- Beware: Metallic objects such as knives, forks, spoons and lids should not be placed on the hob surface since they can get hot.
- Storage in or on Appliance – Flammable materials should not be stored or near the hob.
- Keep children away.
- Handles of saucepans may be hot to touch. Check saucepan handles do not overhang other cooking zones that are on. Keep handles out of reach of children.
- Utensil Handles Should Be Turned Inward and Not Extend Over Adjacent Surface Units – To reduce the risk of burns, ignition of flammable materials, and spillage due to unintentional contact with the utensil, the handle of a utensil should be positioned so that it is turned inward, and does not extend over adjacent surface units.
- Failure to follow this advice could result in

7.0 Illustrations

Illustration 2d - Instruction Manual

- Failure to follow this advice could result in burns and scalds.

Cut Hazard

- The razor-sharp blade of a hob scraper is exposed when the safety cover is retracted. Use with extreme care and always store safely and out of reach of children.
- Failure to use caution could result in injury or cuts.

Important safety instructions

- 1) Proper Installation - Be sure your appliance is properly installed and grounded by a qualified technician.
- 2) Never Use Your Appliance for Warming or Heating the Room.
- 3) Do Not Leave Children Alone - Do Not Leave Children Alone - Children should not be left alone or unattended in area where appliance

7.0 Illustrations

Illustration 2e - Instruction Manual

is in use. They should never be allowed to sit or stand on any part of the appliance.

4) Wear Proper Apparel - Loose-fitting or hanging garments should never be worn while using the appliance.

5) User Servicing - Do not repair or replace any part of the appliance unless specifically recommended in the manual. All other servicing should be referred to a qualified technician.

6) Storage in or on Appliance- Flammable materials should not be stored in an oven or near surface units.

7) Do Not Use Water on Grease Fires - Do Not Use Water on Grease Fires "C Smother fire or flame or use dry chemical or foam-type extinguisher.

7.0 Illustrations

Illustration 2f - Instruction Manual

8) Use Only Dry Potholders - Use Only Dry Potholders - Moist or damp potholders on hot surfaces may result in burns from steam. Do not let potholder touch hot heating elements. Do not use a towel or other bulky cloth.

9) Use Proper Pan Size – This appliance is equipped with one or more surface units of different size. Select utensils having flat bottoms large enough to cover the surface unit heating element. The use of undersized utensils will expose a portion of the heating element to direct contact and may result in ignition of clothing. Proper relationship of utensil to burner will also improve efficiency.

10) Never Leave Surface Units Unattended at High Heat Settings – Boilover causes

7.0 Illustrations

Illustration 2g - Instruction Manual

smoking and greasy spillovers that may ignite.

11) Make Sure Reflector Pans or Drip Bowls Are in Place - Absence of these pans or bowls during cooking may subject wiring or components underneath to damage.

12) Protective Liners – Do not use aluminum foil to line surface unit drip bowls or oven bottoms, except as suggested in the manual. Improper installation of these liners may result in a risk of electric shock, or fire.

13) Glazed Cooking Utensils – Only certain types of glass, glass/ceramic, ceramic, earthenware, or other glazed utensils are suitable for range-top service without breaking

due to the sudden change in temperature.

14) Utensil Handles Should Be Turned Inward

7.0 Illustrations

Illustration 2h - Instruction Manual

and Not Extend Over Adjacent Surface

Units – To reduce the risk of burns, ignition of flammable materials, and spillage due to unintentional contact with the utensil, the handle of a utensil should be positioned so that it is turned inward, and does not extend over adjacent surface units.

15) Do Not Soak Removable Heating Elements
- Heating elements should never be immersed in water.

16) Do Not Cook on Broken Cook-Top - If cook-top should break, cleaning solutions and spillovers may penetrate the broken cook-top and create a risk of electric shock.

Contact a qualified technician immediately.

17) DO NOT TOUCH SURFACE UNITS OR AREAS NEAR UNITS.

7.0 Illustrations

Illustration 2i - Instruction Manual

Installation Instructions

The appliance must be installed and connected in accordance with current regulations.

After unpacking the appliance, ensure there is no visible damage. If it has been damaged during transit, DO NOT USE, contact where you buy immediately.

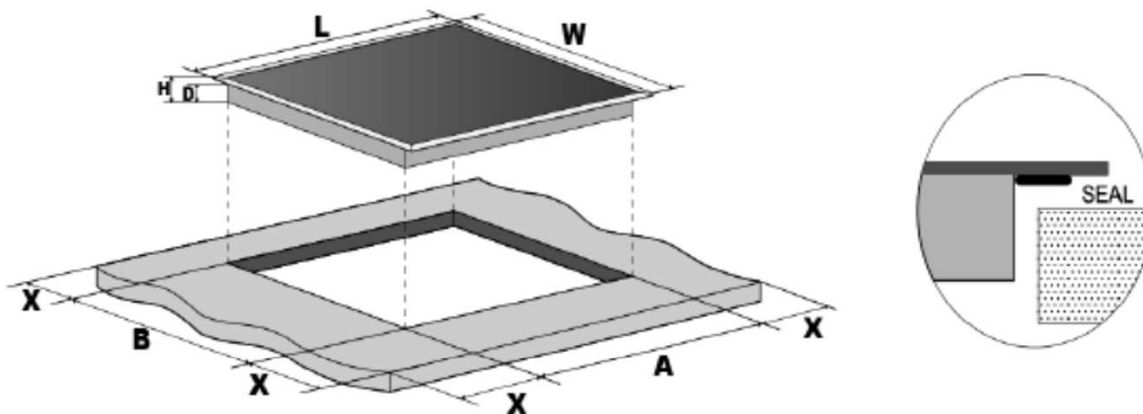
Important – Save for the local electrical inspector’s use.

Selection of installation equipment

-Cut out the work surface according to the sizes shown in the drawing.

-For the purpose of installation and use, a minimum of 5 cm space shall be preserved around the hole.

-Be sure the thickness of the work surface is at least 30mm. Please select heat-resistant work surface material to avoid larger deformation caused by the heat radiation from the hotplate. As shown below (measure by unit: mm):



Model	L	W	H	D	A	B	X
12" ceramic hob	288	520	52	48	265+5 -0	495+5 -0	50 mini
12" induction hob	288	520	56	52	265+5 -0	495+5 -0	50 mini
24" ceramic hob	590	520	52	48	555+5 -0	495+5 -0	50 mini
24" induction hob	590	520	56	52	555+5 -0	495+5 -0	50 mini

7.0 Illustrations

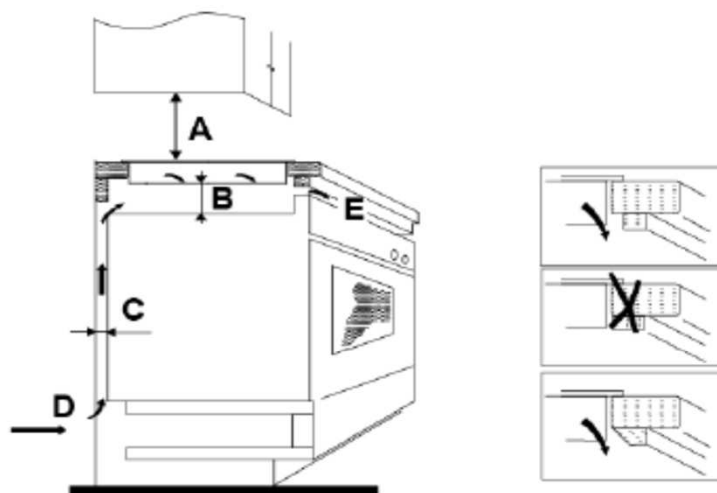
Illustration 2j - Instruction Manual

					-0	-0	
30" ceramic hob	900	520	52	48	745+5 -0	495+5 -0	50 mini
30" induction hob	900	520	56	52	745+5 -0	495+5 -0	50 mini
36" ceramic hob	900	520	52	48	875+5 -0	495+5 -0	50 mini
36" induction hob	900	520	56	52	875+5 -0	495+5 -0	50 mini

Under any circumstances, make sure the electric hob is well ventilated and the air inlet and outlet are not blocked. Ensure the electric hob is in good work state. As shown below:



Note: The safety distance between the hotplate and the cupboard above the hotplate should be at least 760mm.



A(mm)	B(mm)	C(mm)	D	E
760mm	50mm minimal	20mm minimal	Air intake	Air exit 5mm

Installing the foam gasket

Before insert the hob into the opening in the kitchen cabinet, the supplied foam gasket (in a plastic bag) must be attached to the lower side of the ceramic glass.

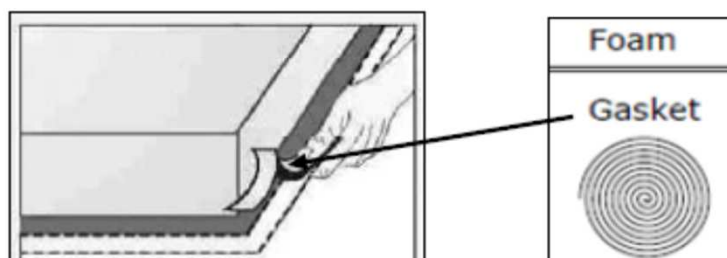
7.0 Illustrations

Illustration 2k - Instruction Manual

Do not install the hob without the foam gasket!

The gasket should be attached to the hob in the following method:

- Remove the protective film from the gasket.
- Then attach the gasket to the lower side of the glass, next to the edge.
- The gasket must be attached along the entire length of the glass edge and should not overlap at the corners.
- When installing the gasket, make sure that the glass does not come into contact with any sharp objects.



Before locating the fixing brackets

The unit should be placed on a stable, smooth surface (use the packaging). Do not apply force onto the controls protruding from the hob.

Easy Fit kits

There is one easy fit kits package for each hob, include fixing clips and screws. Find the easy fit kit package first.

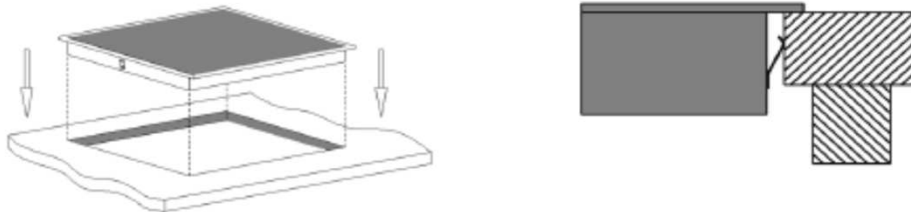
Fix clips to hob: Insert the fixing clips into fixing holes reserved on 2 sides of housing, fix clip to housing with screw, then insert hob into cabinet/work surface.



Fix hob to cabinet: Insert the hob into the cabinet/work surface as below diagrams, the mounted clips on the sides can secure your hob sturdily.

7.0 Illustrations

Illustration 2I - Instruction Manual



Connecting the hob to the mains power supply

The power supply should be connected in compliance with the relevant standard, or a single-pole circuit breaker. **The appliance has a large power rating and must be connected to electricity by a Qualified Electrician.**

Notes:

1. If the cable is damaged or needs replacing, this should be done by an after-sales technician using the proper tools, so as to avoid any accidents.
2. If the appliance is being connected directly to the mains supply, an omni polar circuit breaker must be installed with a minimum gap of 3mm between the contacts.
3. The installer must ensure that the correct electrical connection has been made and that it complies with safety regulations.
4. The cable must not be bent or compressed.
5. The cable must be checked regularly and only replaced by qualified technician.

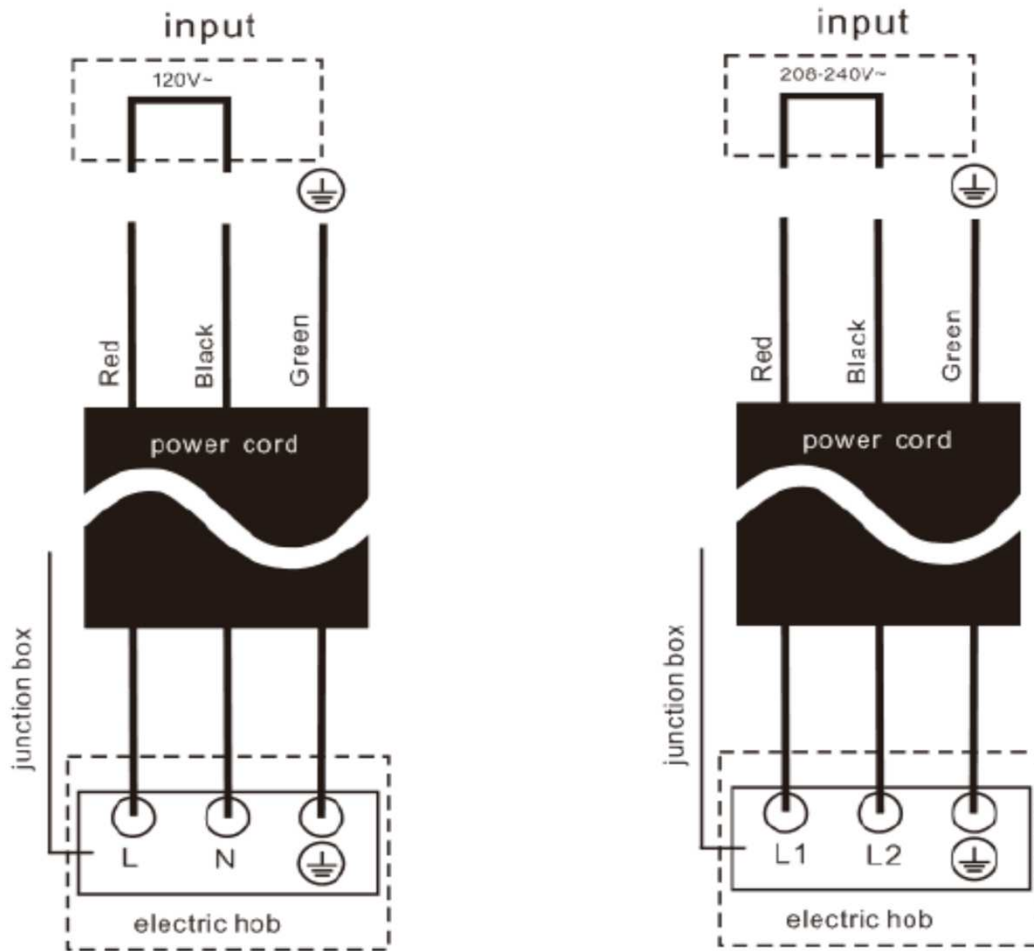
Cautions

1. **The hob must be installed by qualified personnel or technicians.** Please never conduct the operation by yourself.
2. The electric hob shall not be mounted to cooling equipment, dishwashers and rotary dryers.
3. The electric hob shall be installed such that better heat radiation can be ensured to enhance its reliability.
4. The wall and induced heating zone above the work surface shall withstand heat.
5. To avoid any damage, the sandwich layer and adhesive must be heat resistant.
6. A steam cleaner is not to be used.
7. This electric hob can be connected only to a supply with system impedance no more than 0.427 ohm. In case necessary, please consult your supply authority for system impedance information.

The method of connections shown below.

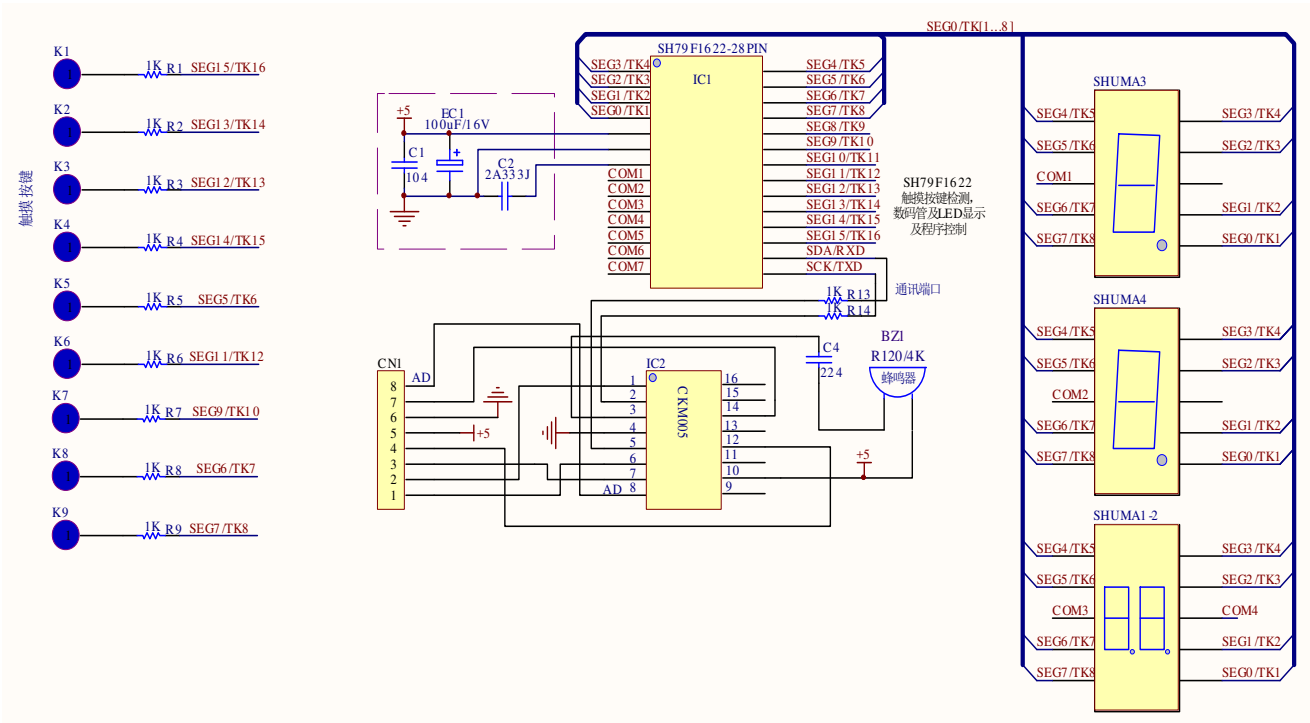
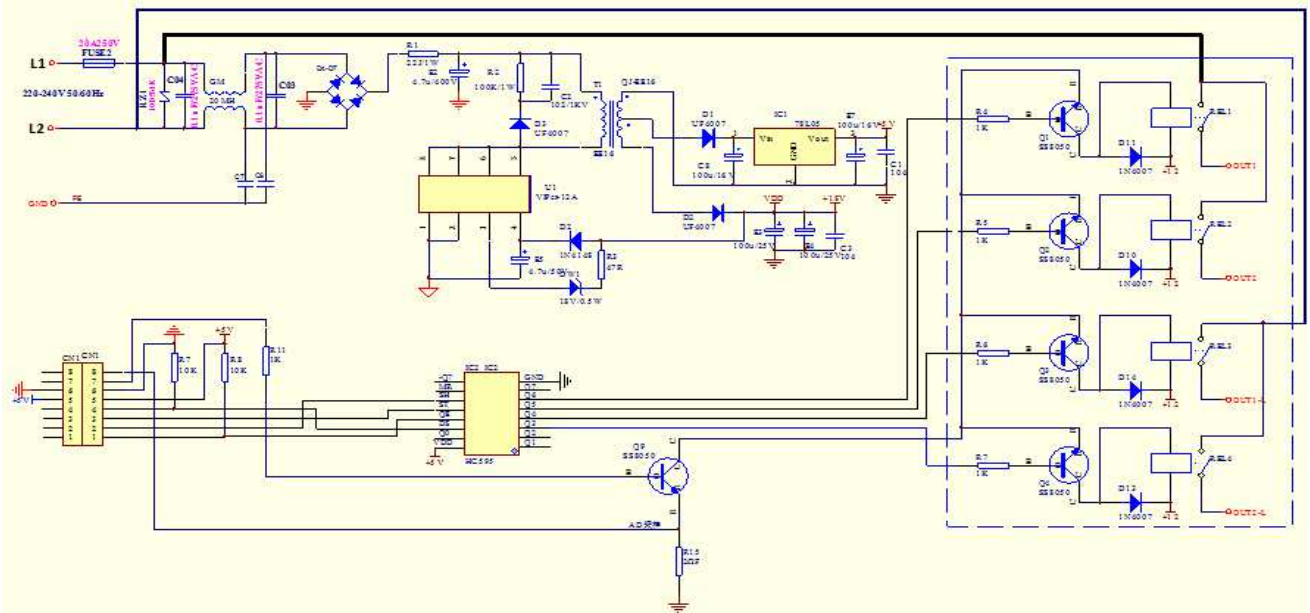
7.0 Illustrations

Illustration 2m - Instruction Manual



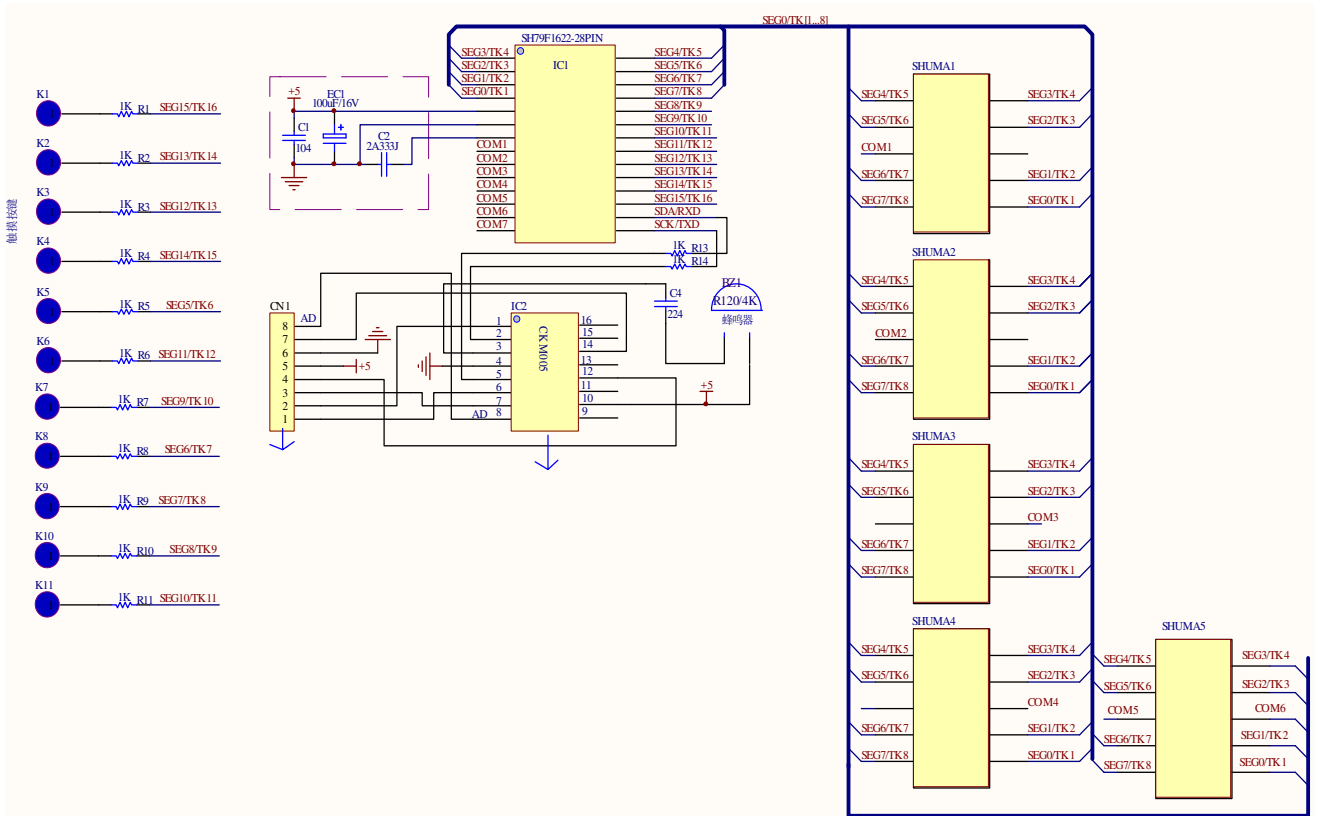
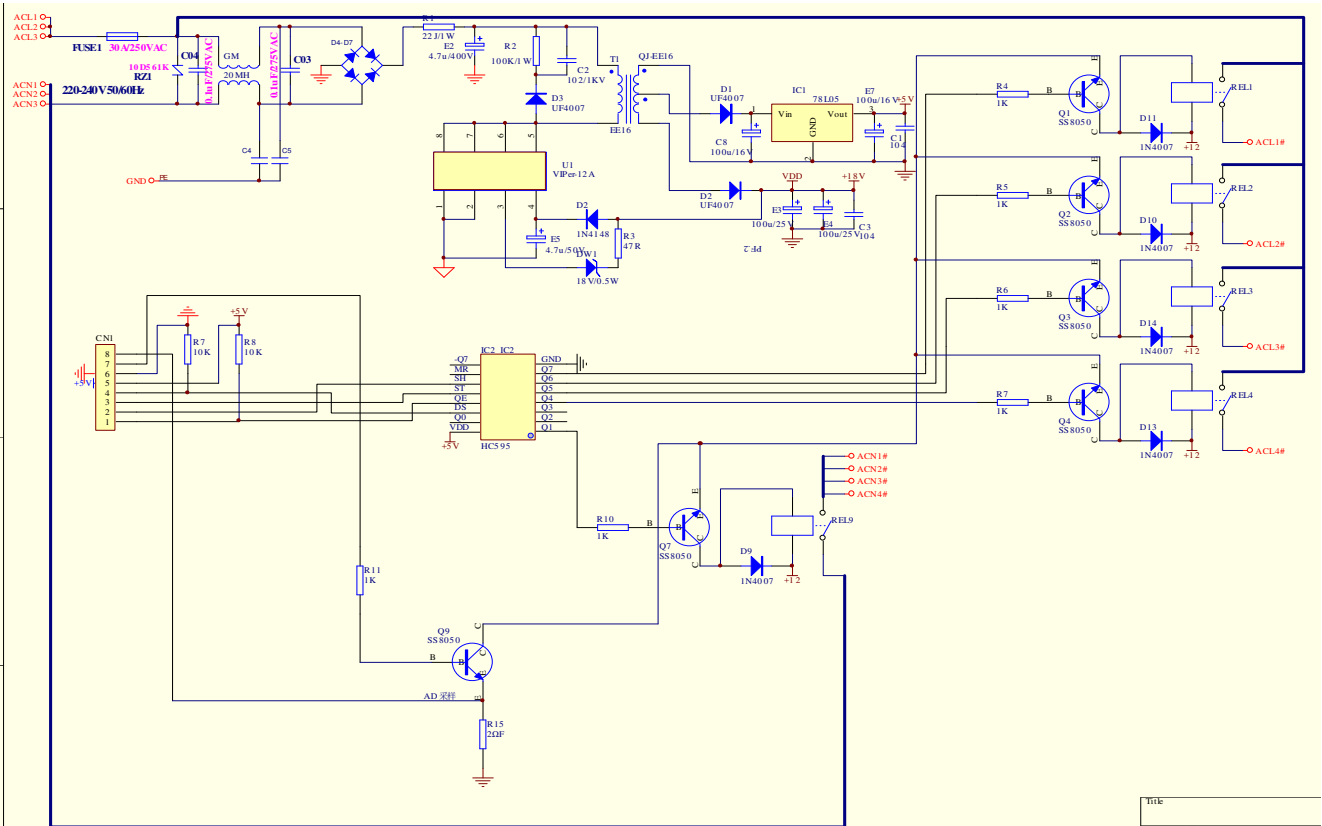
7.0 Illustrations

Illustration 3 - Circuit Diagram for models GK-CD122402, GK-CD123002



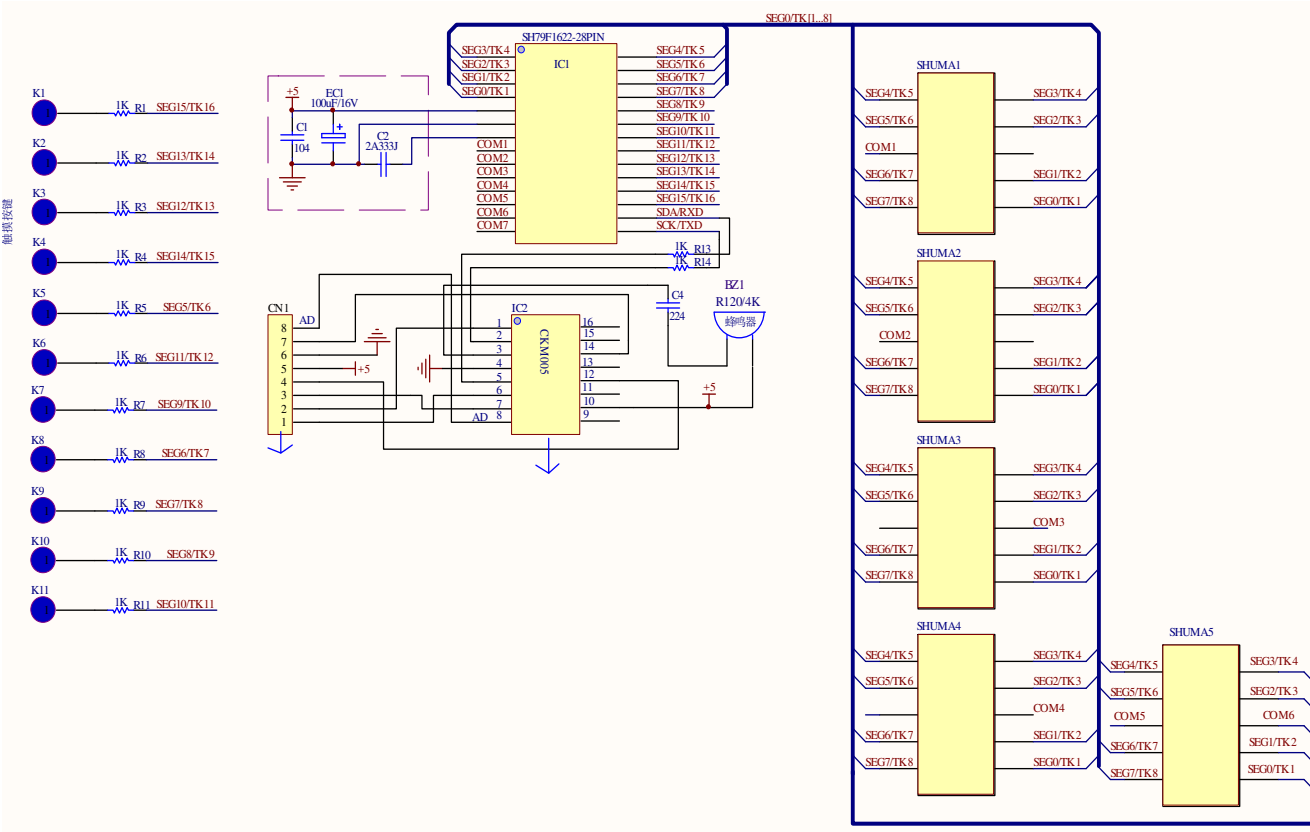
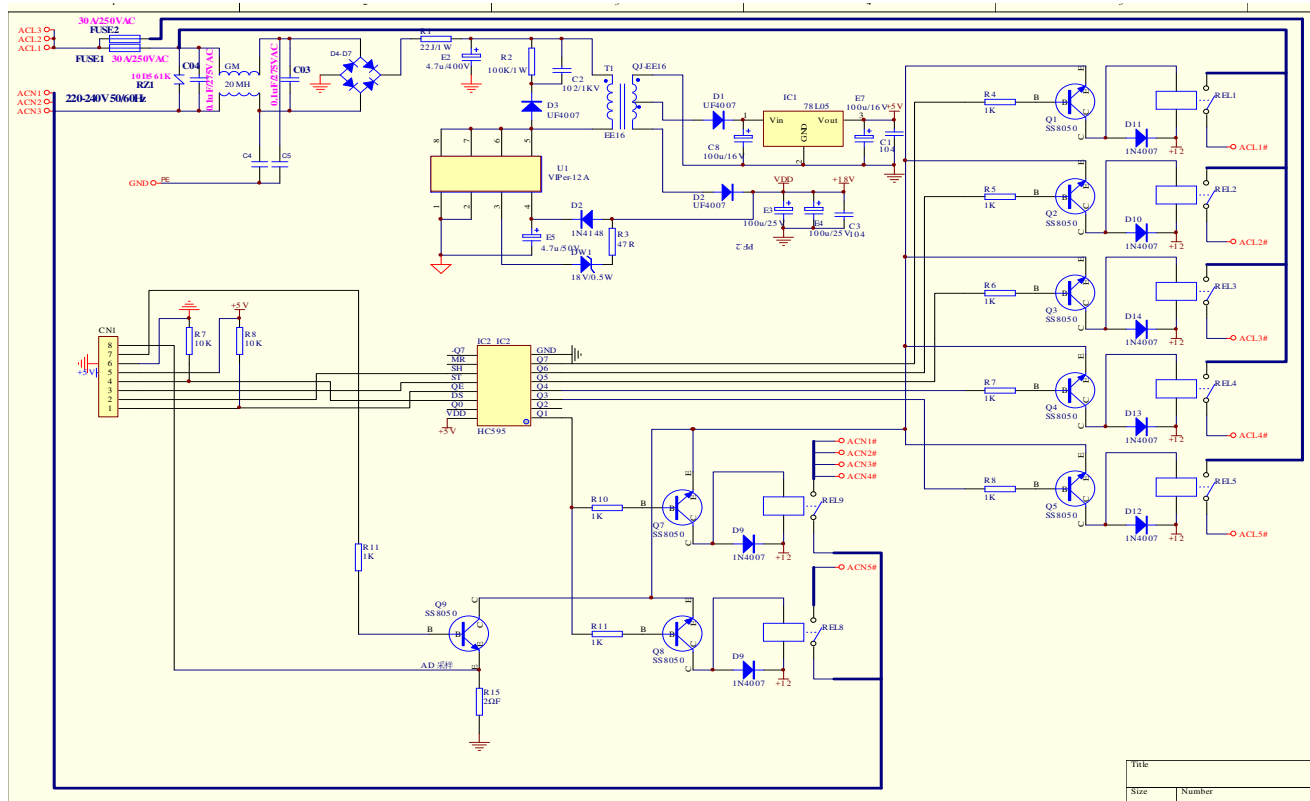
7.0 Illustrations

Illustration 3a - Circuit Diagram for model GK-CF246004



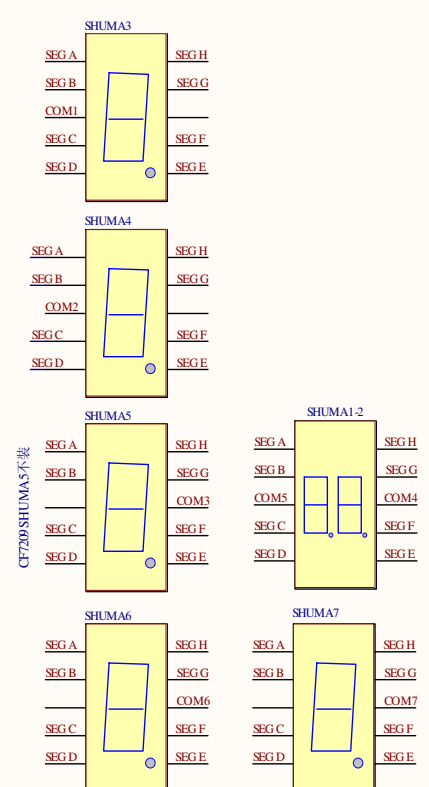
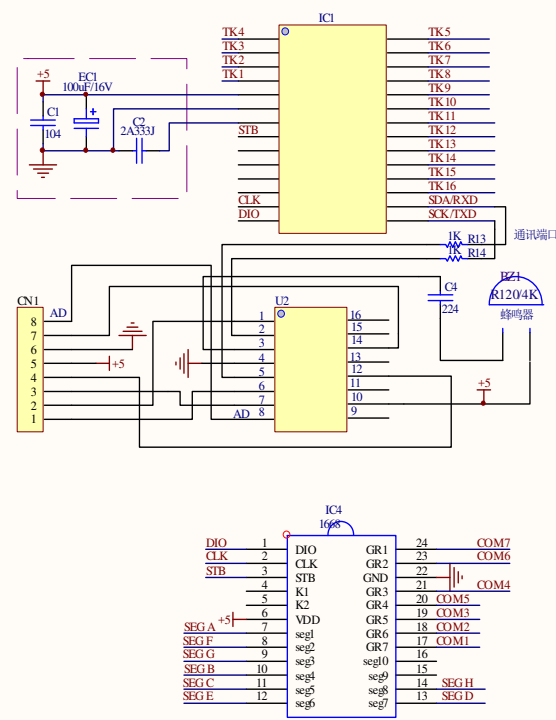
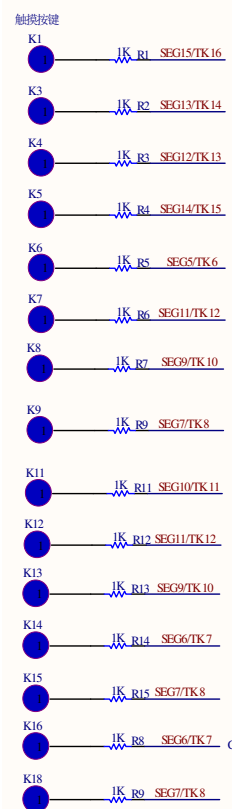
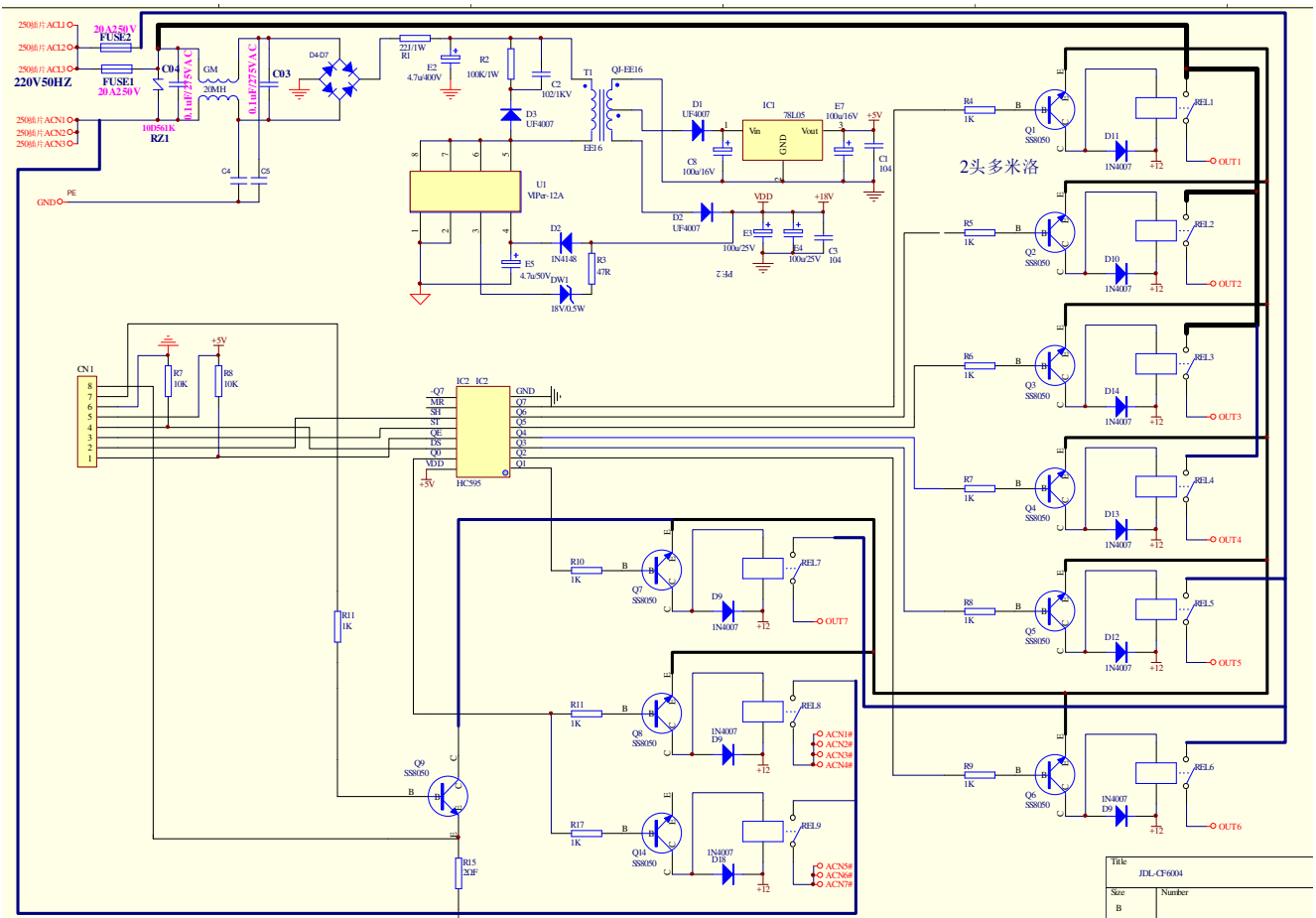
7.0 Illustrations

Illustration 3b - Circuit Diagram for models GK-CF306704, GK-CF246404



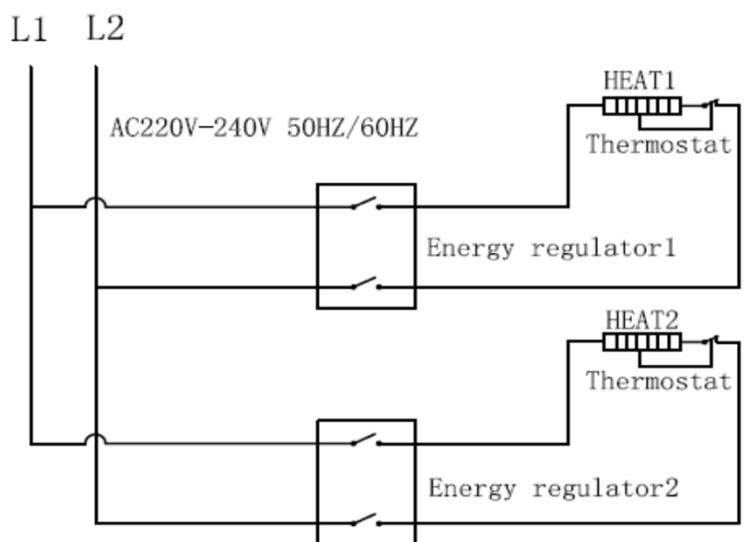
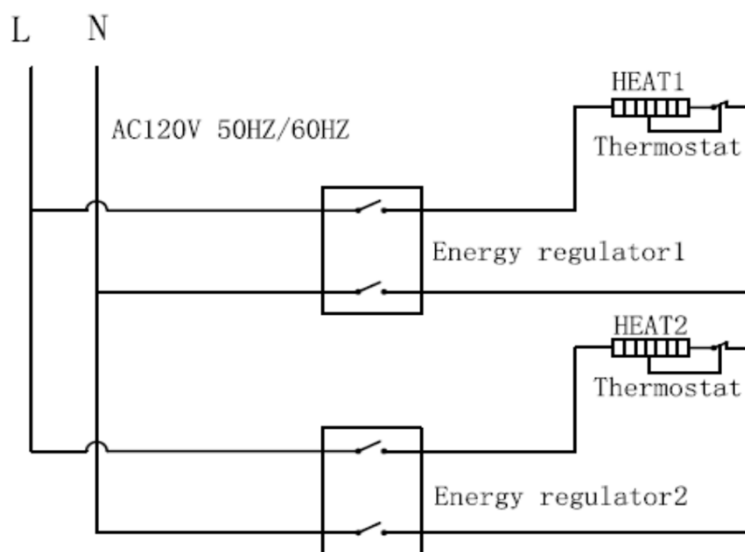
7.0 Illustrations

Illustration 3c - Circuit Diagram for models GK-CV307209, GK-CV367709



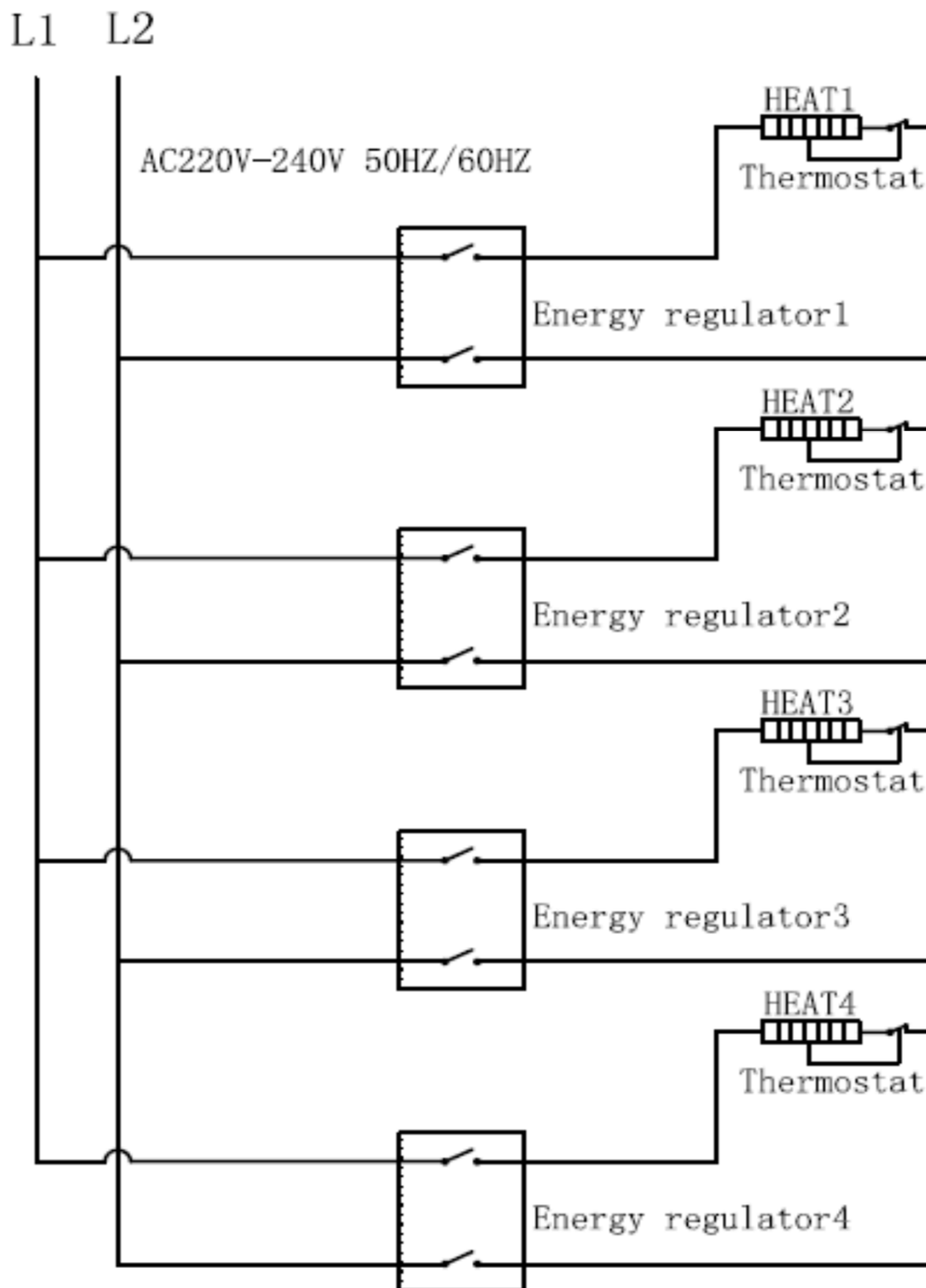
7.0 Illustrations

Illustration 3d - Circuit Diagram for models GK-CD122405, GK-CD123005



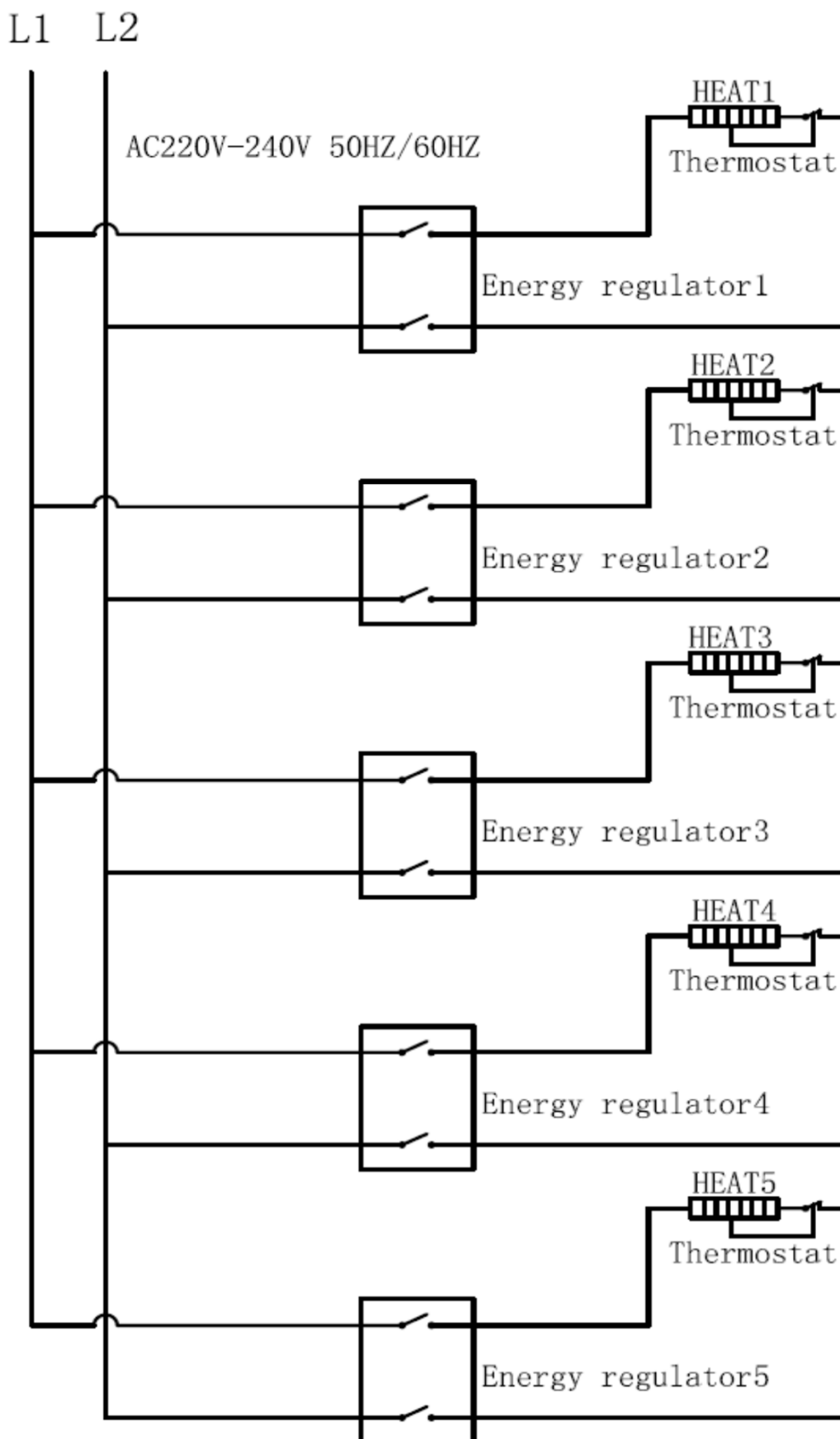
7.0 Illustrations

Illustration 3e - Circuit Diagram for models GK-CF246005, GK-CF246405, GK-CF306705



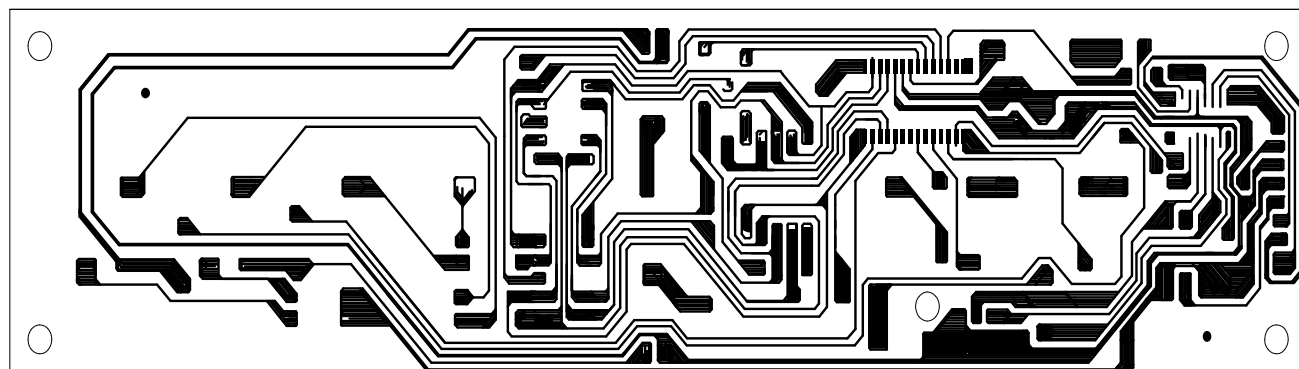
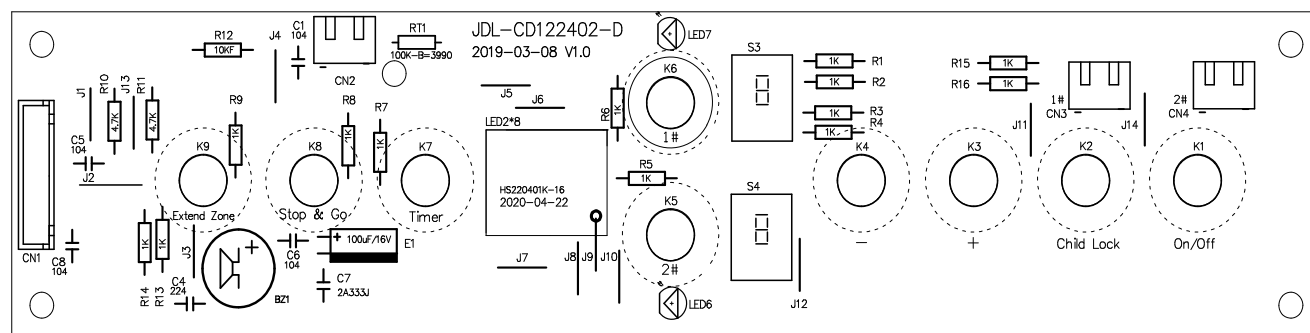
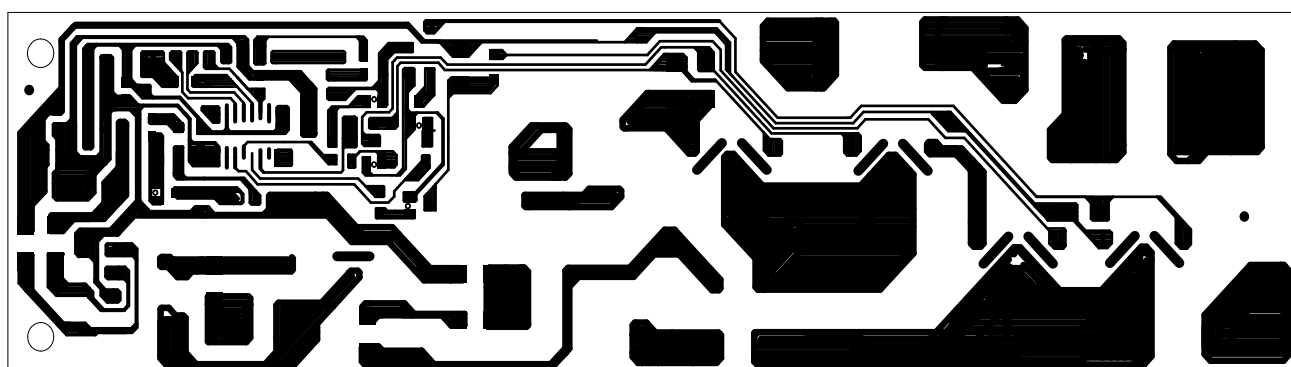
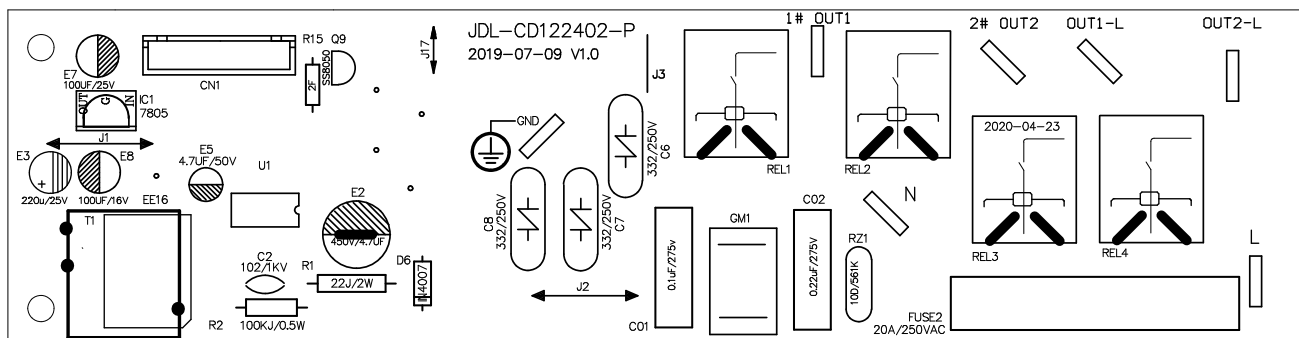
7.0 Illustrations

Illustration 3f - Circuit Diagram for models GK-CV307205, GK-CV367705



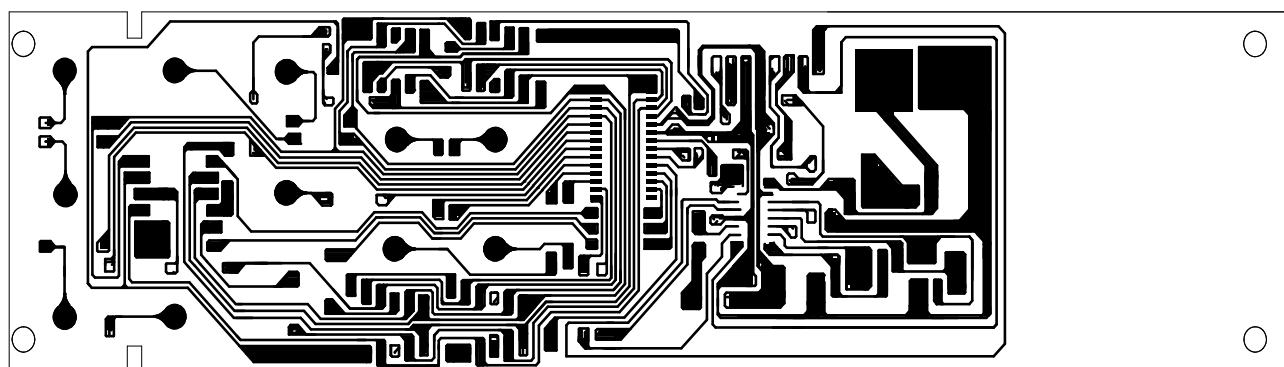
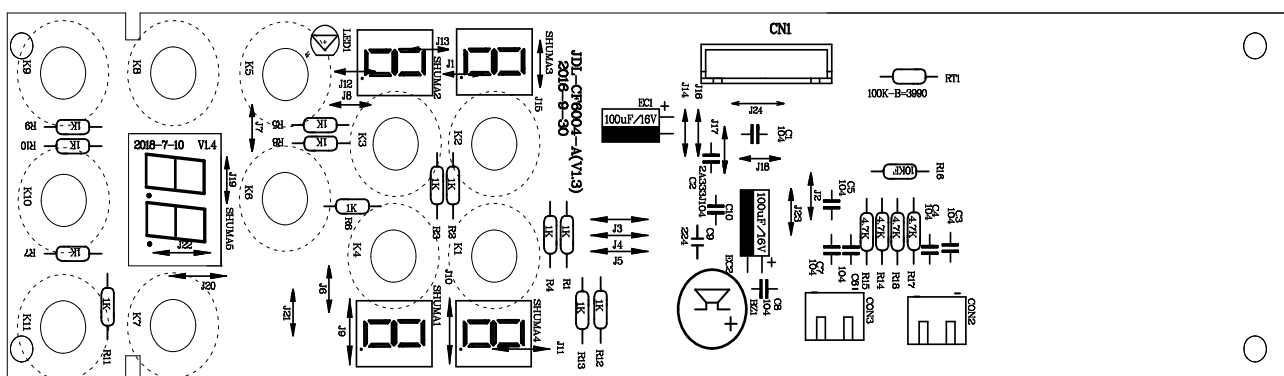
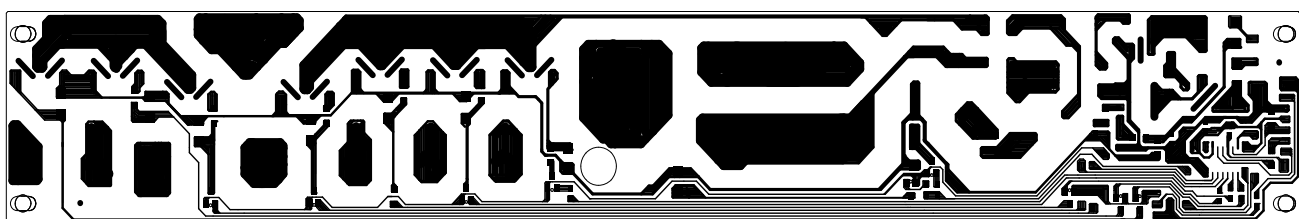
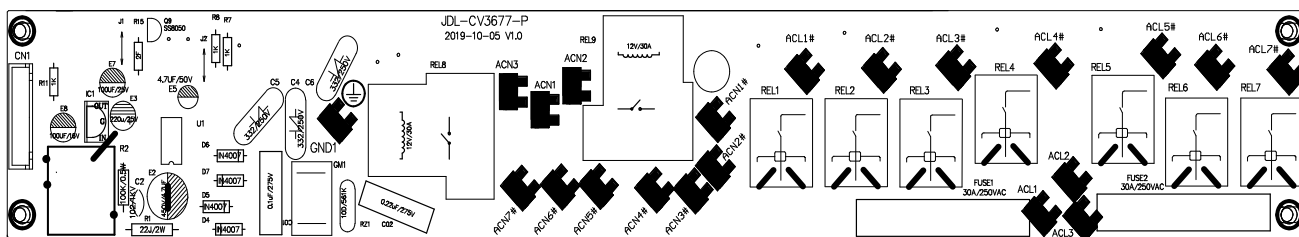
7.0 Illustrations

Illustration 4 - PCB layout for model GK-CD122402, GK-CD123002



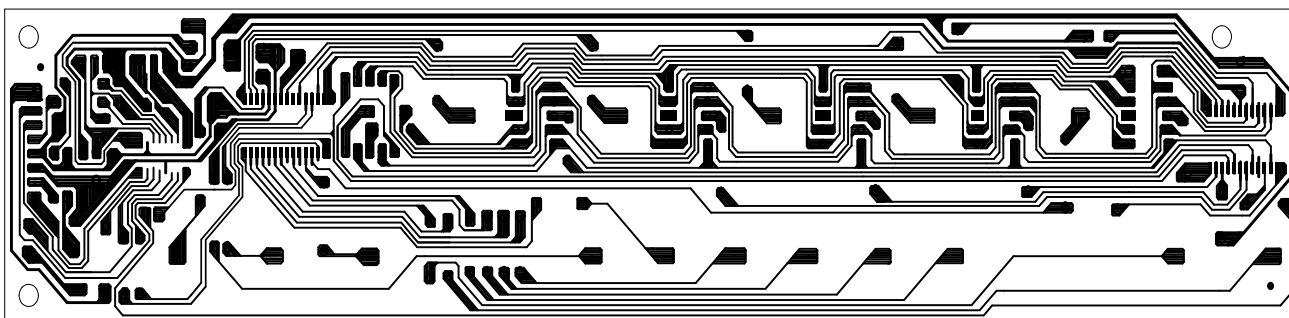
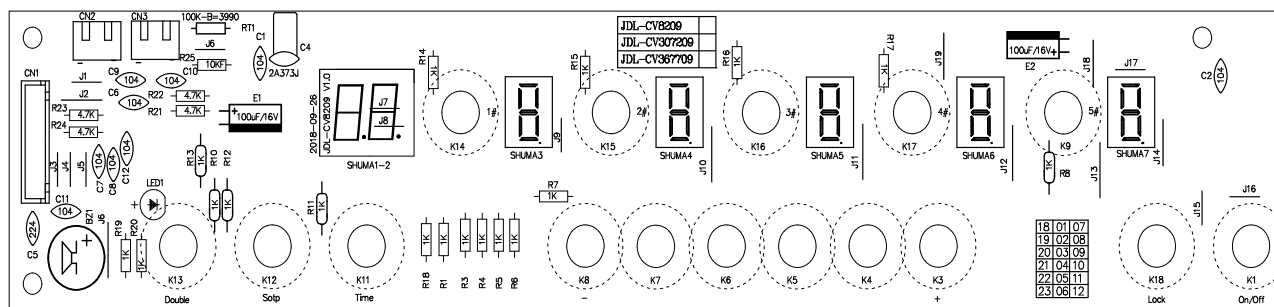
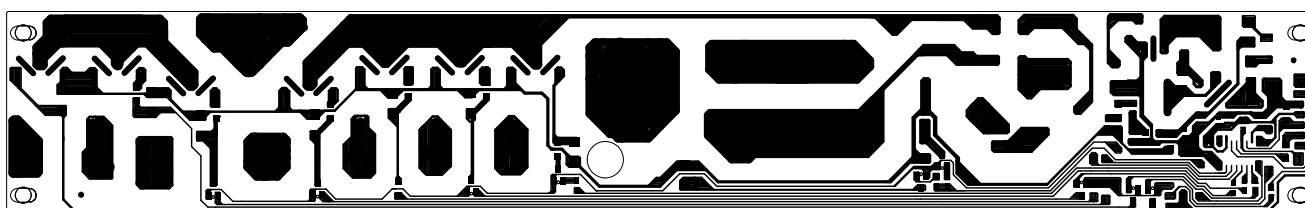
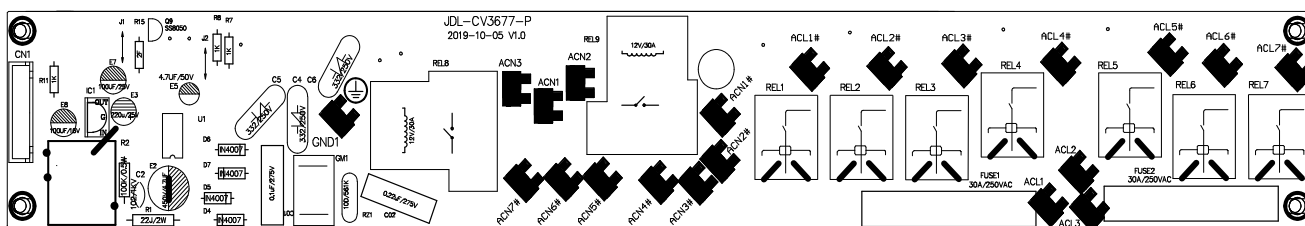
7.0 Illustrations

Illustration 4a - Power PCB layout for models GK-CF246004,GK-CF306704,GK-CF246404



7.0 Illustrations

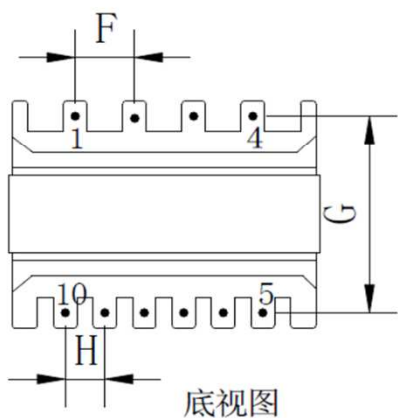
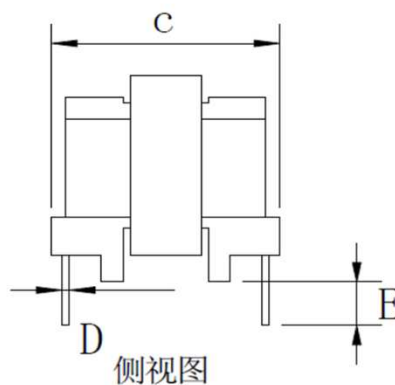
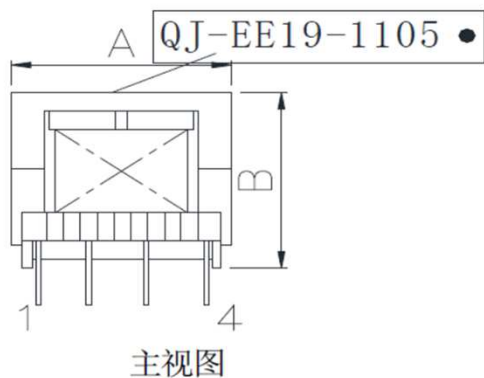
Illustration 4b - Power PCB layout for models GK-CV307209 GK-CV367709



7.0 Illustrations

Illustration 5 - Drawing of Transformer

1. DIMENSION: UNIT: mm



编号	尺寸说明
A	22MAX
B	20MAX
C	18MAX
D	0.6±0.1
E	4.0±0.5
F	3.5±0.5
G	12.0±0.5
H	2.7±0.5

备注:

1. PIN 少的一侧为 PIN1-4 侧, PIN8, 9, 10 拔掉, 骨架下端有挡板。

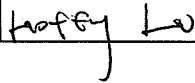
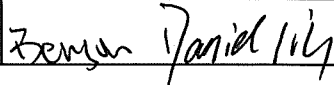
2.磁芯用 5mm 黄色胶带包三层, 研磨磁芯置于顶部

8.0 Test Summary			
Evaluation Period	Jan. 23, 2020 to Sep. 20, 2020		Project No. 200103057GZU
Sample Rec. Date	Jan. 23, 2020	Condition Prototype	Sample ID. S200103057-001 to 018
Test Location	Intertek Testing Services Shenzhen Ltd. Guangzhou Branch. (Address: Room 02, &101/E201/E301/E401/E501/E601/E701/E801 of Room 01 1-8/F., No. 7-2, Caipin Road, Science City, GETDD Guangzhou, China)		
Test Procedure	Testing Lab		
Determination of the result includes consideration of measurement uncertainty from the test equipment and methods. The product was tested as indicated below with results in conformance to the relevant test criteria.			
The following tests were performed:			
Test Description	[UL 858:2014 Ed.16+R:12Sep2019] / Clause	CSA C22.2#61:2016 Ed.9 +U1 / Clause	[UL 746C:2018 Ed.7] / Clause
Surface Temperature	39A	7.4	-
Lamps	49	-	-
Surface-Unit Setback	50	7.20	-
Input Test	56	7.3	-
Grounding Continuity Test	58	5.26	-
Temperature Test	59	7.5	-
Strain-Relief Test	64	-	-
Dielectric Voltage-Withstand Test	66	7.6	-
Cleaning Test	71	-	-
Abnormal-Operation Test	72	7.7	-
Component Failure Test (similar hazards considered)	73	-	-
Thermal Shock Test	74	-	-
Resistance to Moisture Tests	75	-	-
Impact Test	76	-	-
Glass surfaces	-	7.10	-
Liquid spillage	-	7.11	-
Strain Relief Test After Mold Stress-Relief Distortion	-	-	31
Resistance To Impact	-	-	56
Mold Stress-Relief Distortion Test	-	-	61
Adhesive Test	-	7.21	69
Test Description	UL 60730-1:2016 Ed.5 & UL 60730-2-9:2017 Ed.4 Clause	CSA E60730-1:2015, Ed.5 & CSA E60730-2-9:2015 Ed.3 Clause	-
Humidity Test	12.2	12.2	-
Leakage current test	12.3	12.3	-
Insulation resistance	13.1	13.1	-
Electric strength test	13.2, H13.2	13.2, H13.2	-
Leakage current	13.3	13.3	-
Heating test	14	14	-
MANUFACTURING DEVIATION and DRIFT	15	15	-
Environmental stress of temperature	16.2	16.2	-
Push and pull test for actuating member	18.9	18.9	-
Thermal cycling test	H.17.1.4.2	H.17.1.4.2	-
Controls using software	H.11.12	H.11.12	-
Electromagnetic compatibility (EMC) requirements – immunity	26, H.26.4 to H26.14	26, H.26.4 to H26.14	-
Electrical / electronic component fault modes	H.27.1	H.27.1	-
Electronic disconnection - Overvoltage	H.27.4	H.27.4	-

8.0 Test Summary

8.1 Signatures

A representative sample of the product covered by this report has been evaluated and found to comply with the applicable requirements of the standards indicated in Section 1.0.

Completed by:	Hoffy Lv	Reviewed by:	Benson Li / Daniel Liu
Title:	Project Engineer	Title:	Sr. Tech. Supervisor
Signature:		Signature:	

9.0 Correlation Page For Multiple Listings

The following products, which are identical to those identified in this report except for model number and Listee name, are authorized to bear the ETL label under provisions of the Intertek Multiple Listing Program.

BASIC LISTEE	GETROM Home Appliance Co., Ltd.
Address	Dongfubei Road 74#, Nantou Town, ZHONGSHAN Guangdong 528427
Country	China
Product	Built-In Electric Cooktop

MULTIPLE LISTEE 1	None
Address	
Country	
Brand Name	

ASSOCIATED MANUFACTURER	
Address	
Country	

MULTIPLE LISTEE 1 MODELS	BASIC LISTEE MODELS

MULTIPLE LISTEE 2	None
Address	
Country	
Brand Name	

ASSOCIATED MANUFACTURER	
Address	
Country	

MULTIPLE LISTEE 2 MODELS	BASIC LISTEE MODELS

MULTIPLE LISTEE 3	None
Address	
Country	
Brand Name	

ASSOCIATED MANUFACTURER	
Address	
Country	

MULTIPLE LISTEE 3 MODELS	BASIC LISTEE MODELS

10.0 General Information

The Applicant and Manufacturer have agreed to produce, test and label ETL Listed products in accordance with the requirements of this Report. The Manufacturer has also agreed to notify Intertek and to request authorization prior to using alternate parts, components or materials.

COMPONENTS

Components used shall be those itemized in this Intertek report covering the product, including any amendments and/or revisions.

LISTING MARK

The ETL Listing mark applied to the products shall either be separable in form, such as labels purchased from Intertek, or on a product nameplate or other media only as specifically authorized by Intertek. Use of the mark is subject to the control of Intertek.

The mark must include the following four items:

- 1) applicable country identifiers "US" and/or "C" or "US", "C" and "EU"
- 2) the word "Listed" or "Classified" or "Recognized Component" (whichever is appropriate)
- 3) a control number issued by Intertek
- 4) a product descriptor that identifies the standards used for certification. Example:

For US standards, the words, "Conforms to" shall appear with the standard number along with the word, "Standard" or "Std." Example: "Conforms to UL Std. XX."

For Canadian standards, the words "Certified to CSA Standard CXX No. XX." shall be used, or abbreviated, "Cert. to CSA Std. CXX No. XX."

Can be used together when both standards are used.

Note: A facsimile must be submitted to Intertek, Attn: Follow-up Services for approval prior to use.

The facsimile need not have a control number. A control number will be issued **after signed Certification Agreements** have been received by the Follow-up Services office, approval of the facsimile of your proposed Listing Mark, satisfactory completion of the Listing Report, and scheduling of a factory assessment in your facility.

MANUFACTURING AND PRODUCTION TESTS

Manufacturing and Production Tests shall be performed as required in this Report.

FOLLOW-UP SERVICE

Periodic unannounced audits of the manufacturing facility (and any locations authorized to apply the mark) shall be scheduled by Intertek. An audit report shall be issued after each visit. Special attention will be given to the following:

1. Conformance of the manufactured product to the descriptions in this Report.
2. Conformance of the use of the ETL mark with the requirements of this Report and the Certification Agreement.
3. Manufacturing changes.
4. Performance of specified Manufacturing and Production Tests.

In the event that the Intertek representative identifies non-conformance(s) to any provision of this Report, the Applicant shall take one or more of the following actions:

1. Correct the non-conformance.
2. Remove the ETL Mark from non-conforming product.
3. Contact the issuing product safety evaluation center for instructions.

10.1 Evaluation of Unlisted Components

Because Unlisted Components are uncontrolled, and they do not fall under a third party follow up program, Intertek may require these components to be tested and/or evaluated at least once annually, more often for certain components, as part of the independent certification process. The Unlisted Components in Section 5.0 require testing and/or evaluation as indicated.

Note to Intertek Follow Up Inspector: The Component Evaluation Center, CEC, will notify you in writing when these components must be selected and sent to the CEC for re-evaluation

Ship the samples to:

Intertek Testing Services Shenzhen Limited Guangzhou Branch

ETL Component Evaluation Center

Room 02, &101/E201/E301/E401/E501/E601/E701/E801 of Room 01 1-8/F., No. 7-2,
Caipin Road, Science City

GETDD Guangzhou, Guangdong, China

Attn: Ms. Joey Kuang

Sample Disposition: Due to the destructive nature of the testing, all samples will be discarded at the conclusion of testing unless, the manufacturer specifically requests the return of the samples. The request for return must accompany the initial component shipment.

11.0 Manufacturing and Production Tests

The manufacturer agrees to conduct the following Manufacturing and Production Tests as specified:

Required Tests

Dielectric Voltage-Withstand Test
 Grounding Continuity Test

11.1 Dielectric Voltage-Withstand Test

Method

One hundred percent of production of the products covered by this Report shall be subjected to a routine production-line dielectric withstand test.

The test shall be conducted on products which are fully assembled. Prior to applying the test potential, all switches, contactors, relays, etc., should be closed so that all primary circuits are energized by the test potential. If all primary circuits cannot be tested at one time, then separate applications of the test potential shall be made.

The test potential specified below shall be applied between primary wiring, including connected components, and accessible metal parts that are likely to become energized, and between primary wiring and accessible low voltage (42.4 V peak or less) metal parts, including terminals. The test potential may be gradually increased to the specified value but must be maintained at the specified value for one second or one minute as required.

The appliance may be in a heated or unheated condition for the test.

Test Equipment

The test equipment shall incorporate a transformer with an essentially sinusoidal output, a means to indicate the applied test potential, and an audible and/or visual indicator of dielectric breakdown.

The test equipment shall incorporate a voltmeter in the output circuit to indicate directly the applied test potential if the rated output of the test equipment is less than 500VA.

If the rated output of the test equipment is 500VA or more, the applied test potential may be indicated by either: 1 - a voltmeter in the primary circuit; 2 - a selector switch marked to indicate the test potential; or 3 - a marking in a readily visible location to indicate the test potential for test equipment having a single test potential output. In cases 2 and 3, the test equipment shall include a lamp or other visual means to indicate that the test potential is present at the test equipment output. All test equipment shall be maintained in current calibration.

Products Requiring Dielectric Voltage-Withstand Test:

<u>Product</u>	<u>Test Voltage</u>	<u>Test Time</u>
All products covered by this Report.	1000V	60 s
	or	
	1200V	1 s

11.2 Grounding Continuity Test

Method

Each product listed below shall be subjected to a test to determine that there is continuity between accessible dead-metal parts of the product and the grounding pin or blade of the attachment plug.

If all accessible dead metal is connected, only a single test need be performed. A visual or audible device (ohmmeter, buzzer, etc.) may be used to indicate grounding continuity.

Products Requiring Grounding Continuity Test:

All products covered by this Report.

